



# INVOTECH

## SCROLL COMPRESSORS

---

Product Catalogue

# 50Hz



To become a leading global provider of climate and energy solutions,  
Building an energy-saving and low-carbon ecological environment together!

# TABLE OF CONTENTS



Company Introduction	1
<hr/>	
Product Features	2
<hr/>	
Nomenclature	3
<hr/>	
Product Category	
Scroll compressors for air conditioning and chillers	5
Scroll compressors for medium temperature refrigeration	19
Scroll compressors for low temperature refrigeration	31
Scroll compressors for heat pumps	42



## Company Introduction

Suzhou Invotech Scroll Technologies Co., Ltd. is a high-tech enterprise, specializing in the research and development, manufacturing and sales of scroll compressors.

We offer a wide range of products and solutions for air conditioning, chillers, heat pump water heaters, refrigeration and other applications. Backed by innovations and patents, our solutions are engineered for optimal energy efficiency and reliability. Dedicated to building a low-carbon ecological environment, we develop low GWP refrigerant products to reduce greenhouse gas emissions and advance global environmental sustainability. Our products have been sold to over 40 countries and regions across Asia, Africa, Europe, South America, North America, and beyond.

*For more information please visit:*  
[www.invotech.cn](http://www.invotech.cn)



Scan to Visit Our  
Website



Scan to Download  
Detailed Product  
Catalogues

### Product Features

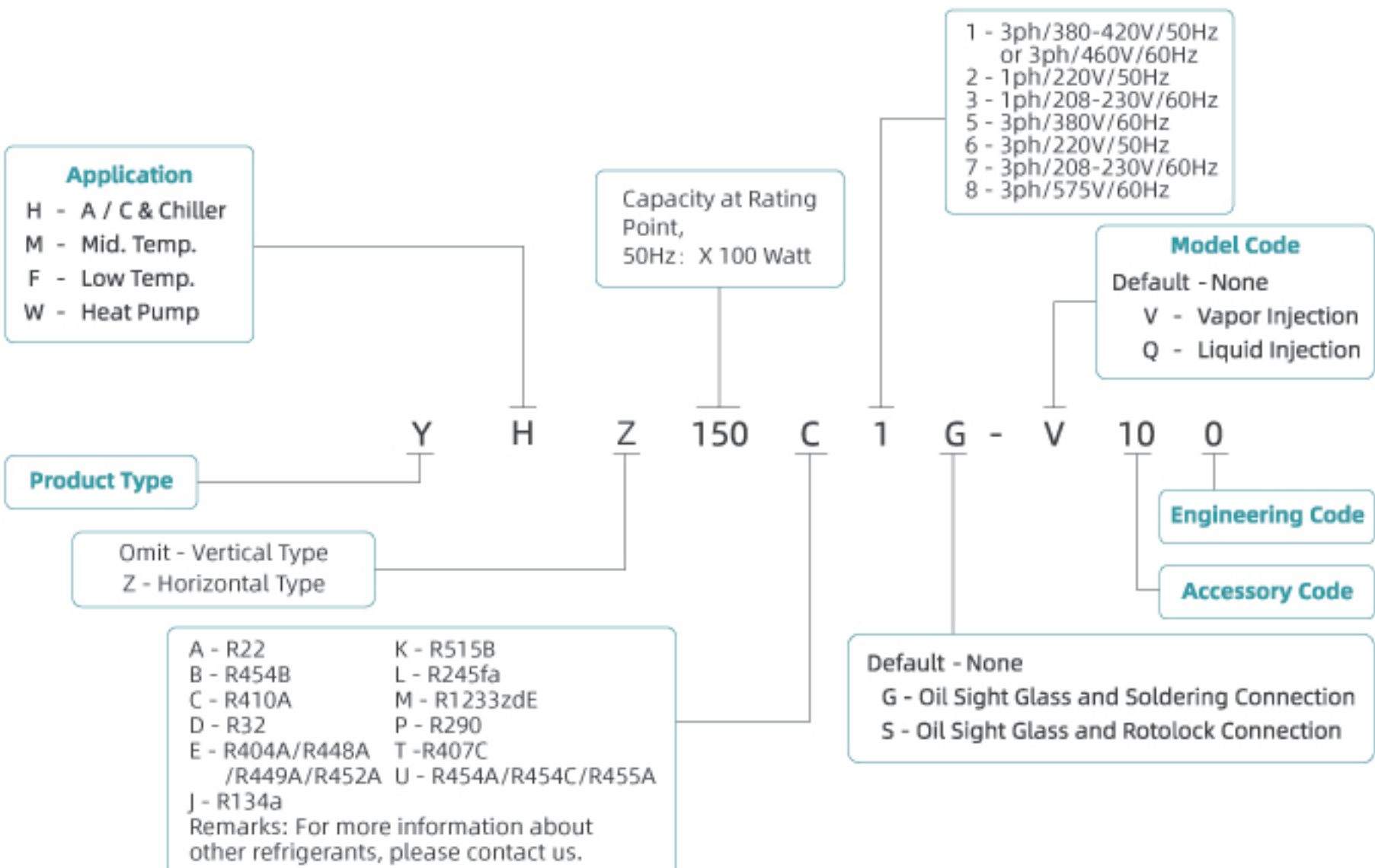
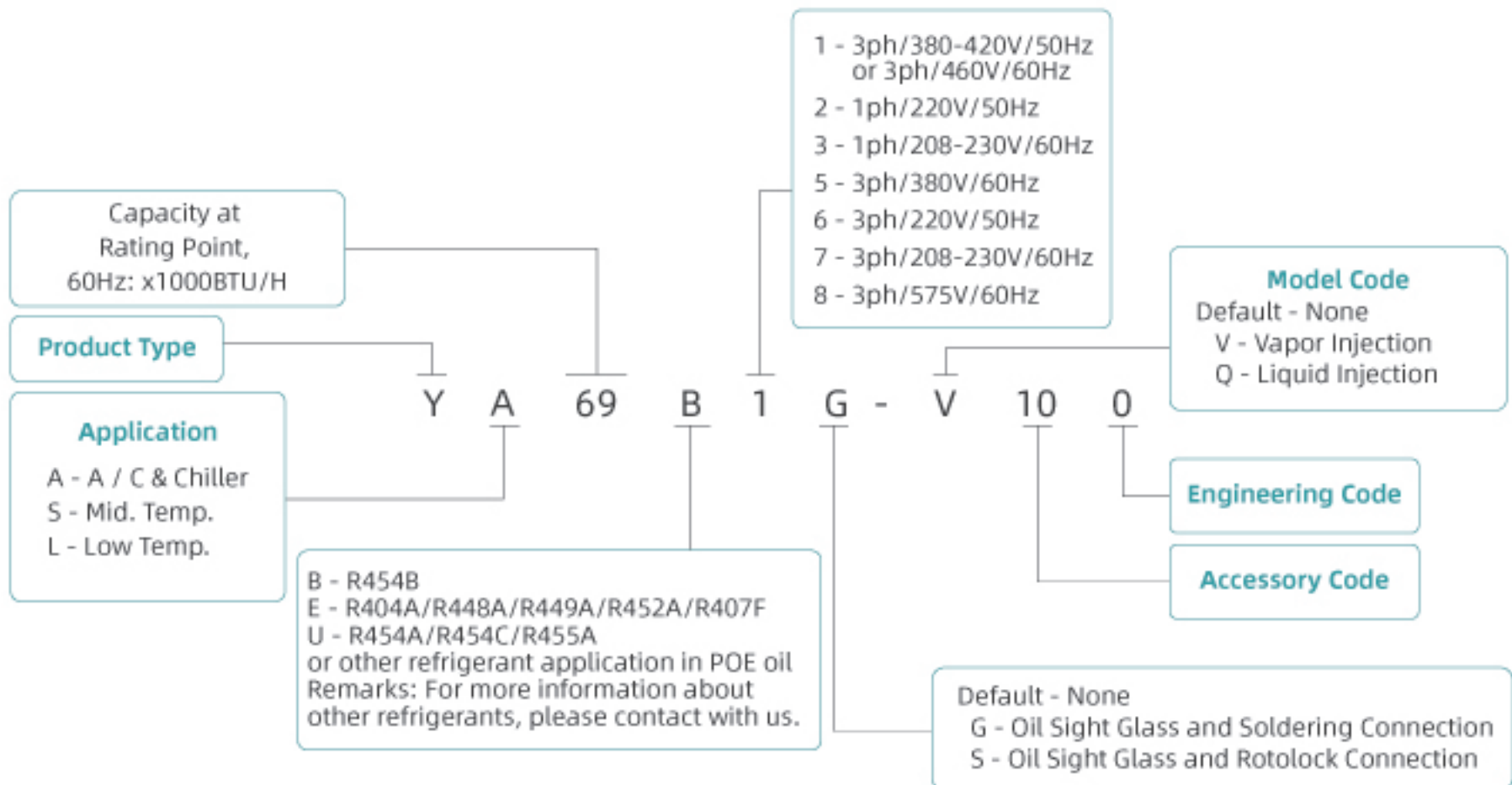
---

- Specific and optimal design for different applications
- Radial and axial compliance design and improved floating seal design for better energy efficiency and reliability
- Build-in high pressure protection
- Motor overload protection through internal or external protector for higher reliability
- Excellent discharge temperature management to extend operating envelope
- Accurate calculation of load and sealing force for running sound optimization
- High efficiency motor design



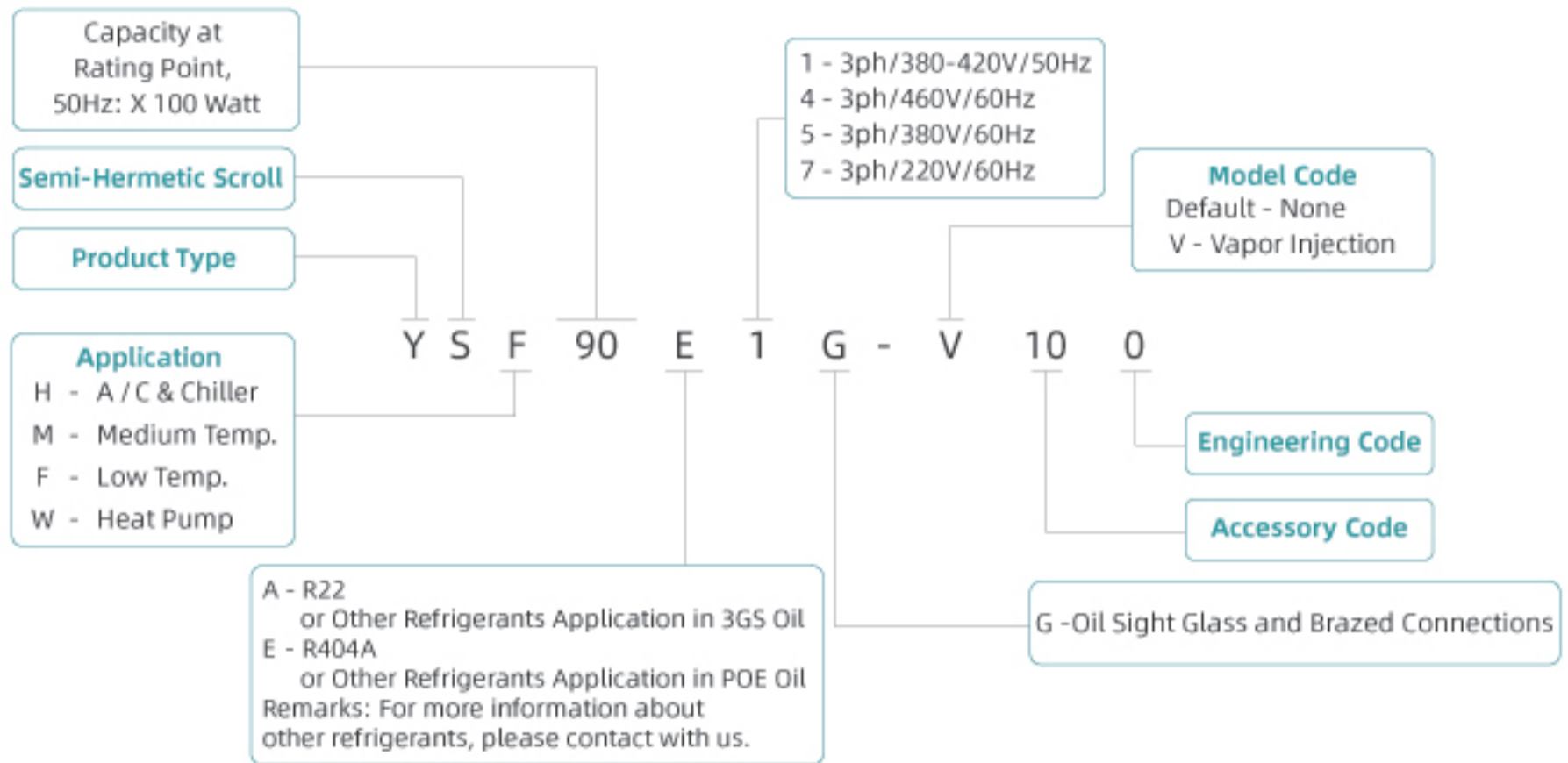
# Nomenclature

## Hermetic Fixed Speed Scroll Compressor

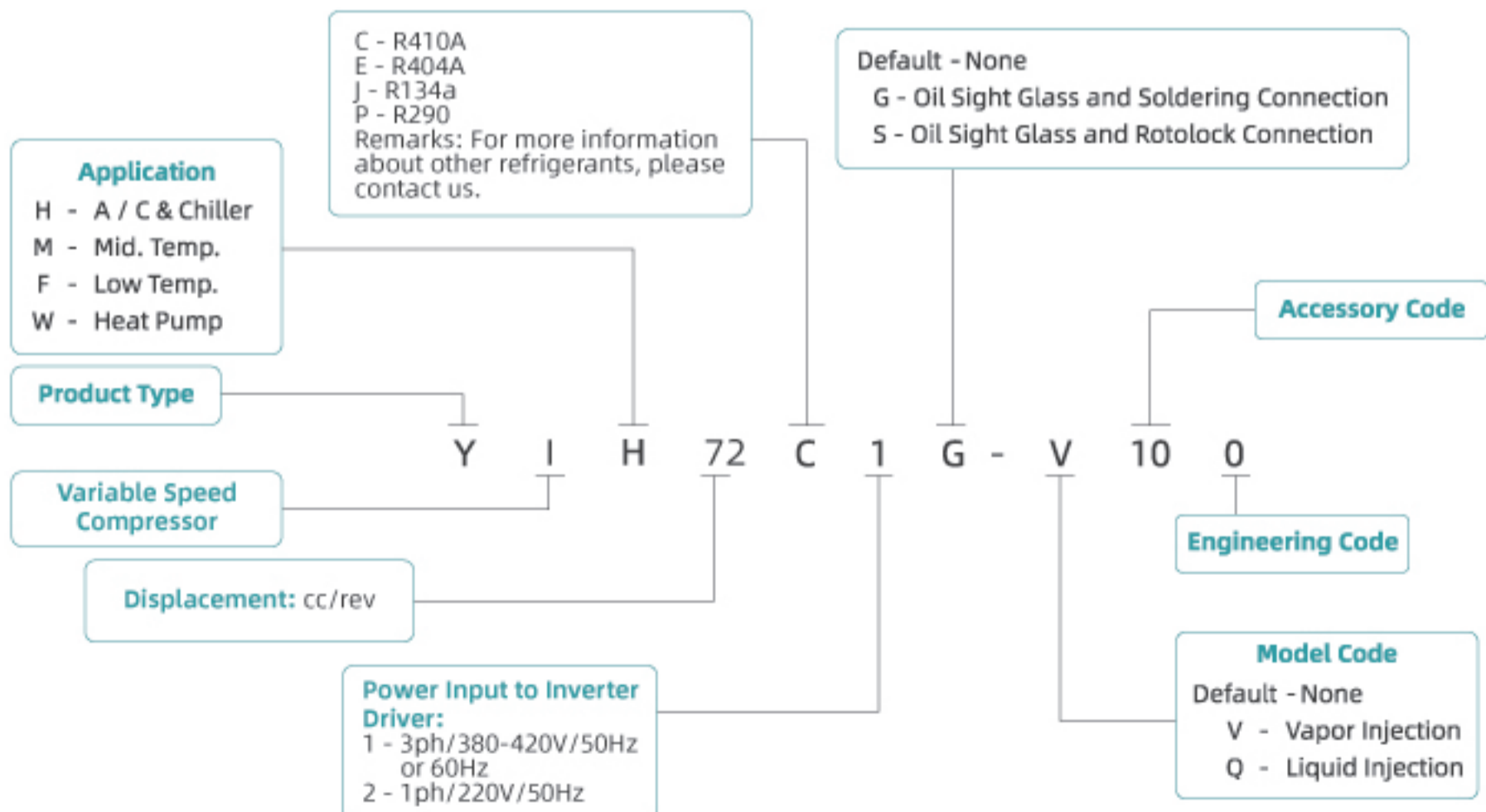


## Nomenclature

### Semi-hermetic Fixed Speed Scroll Compressor



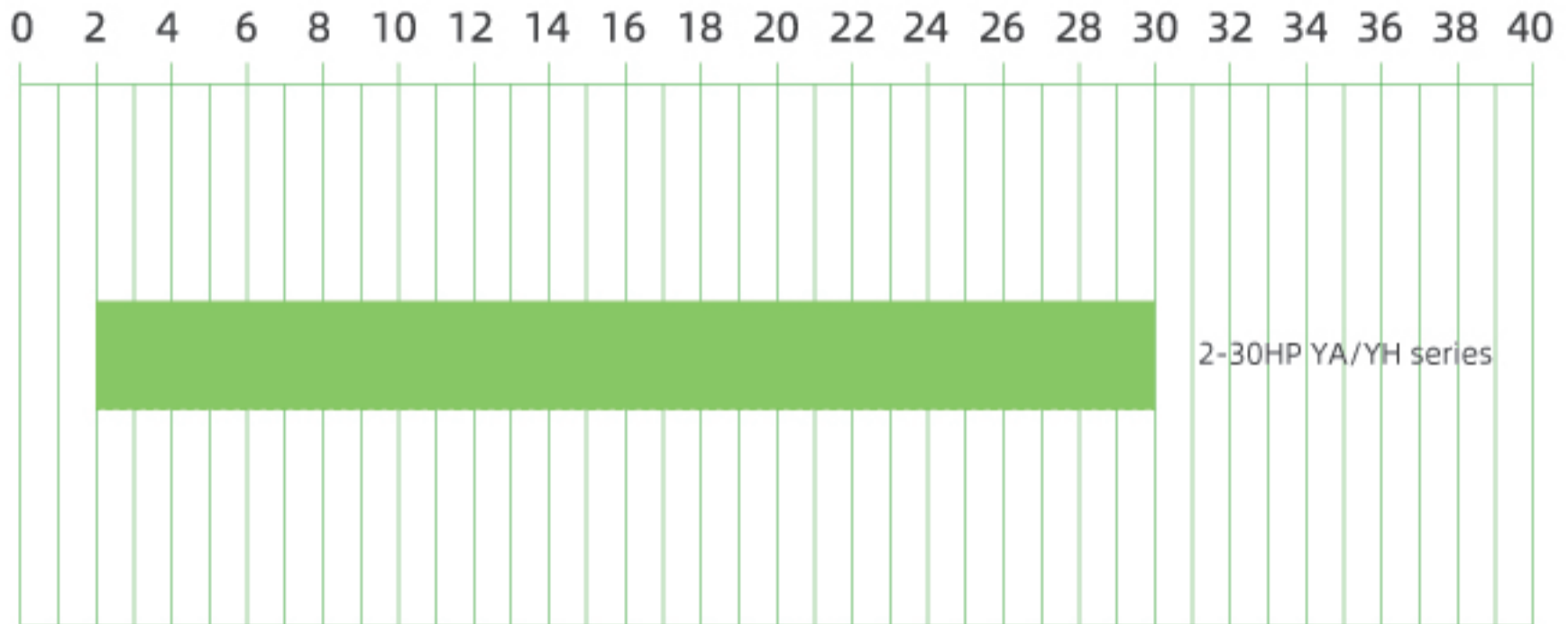
### Hermetic Variable Speed Scroll Compressor



**SCROLL COMPRESSORS  
FOR AIR CONDITIONING  
AND CHILLERS**

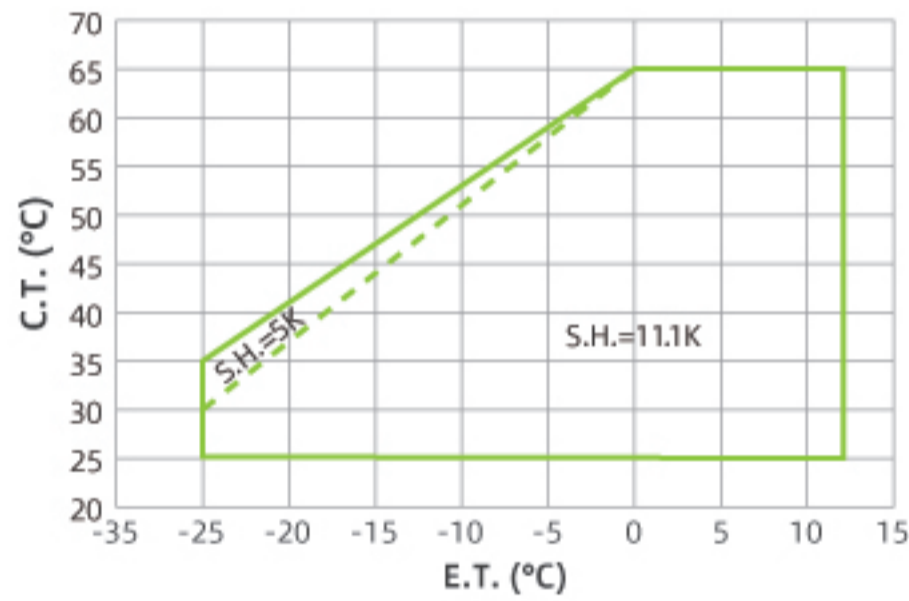


## Product Line-up

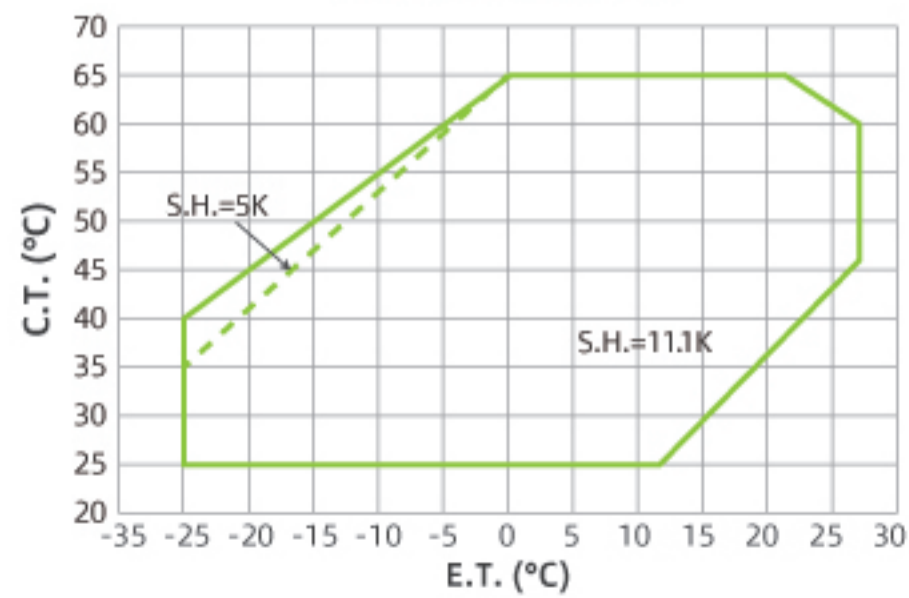


## Operating Envelope

**YA40-78 R454B**

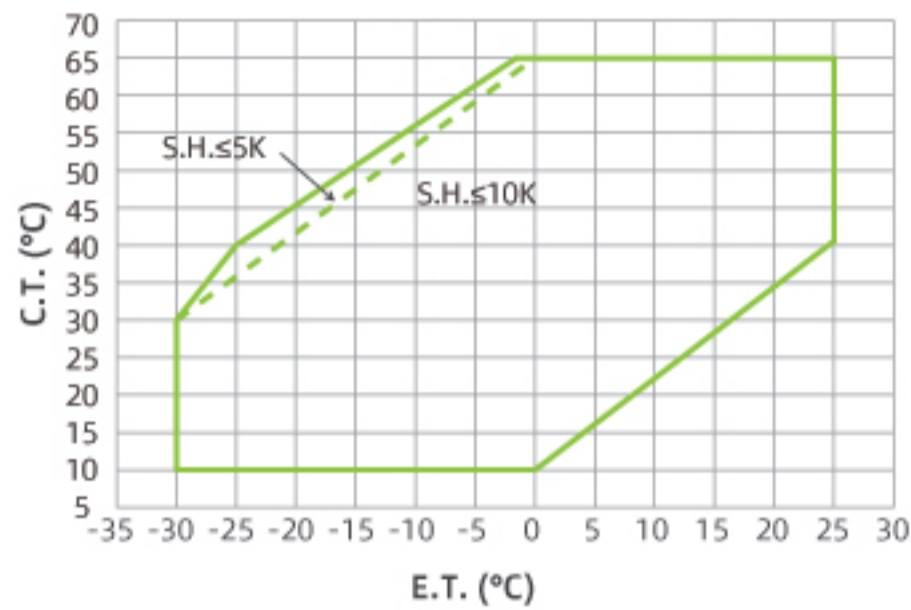


**YA98-133 R454B**



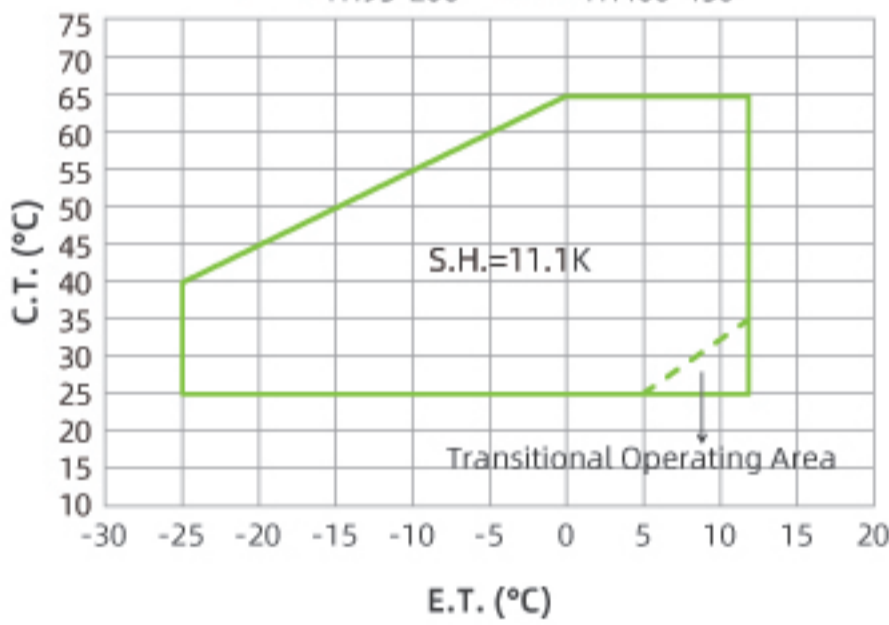
## Operating Envelope

**YH720D R32**



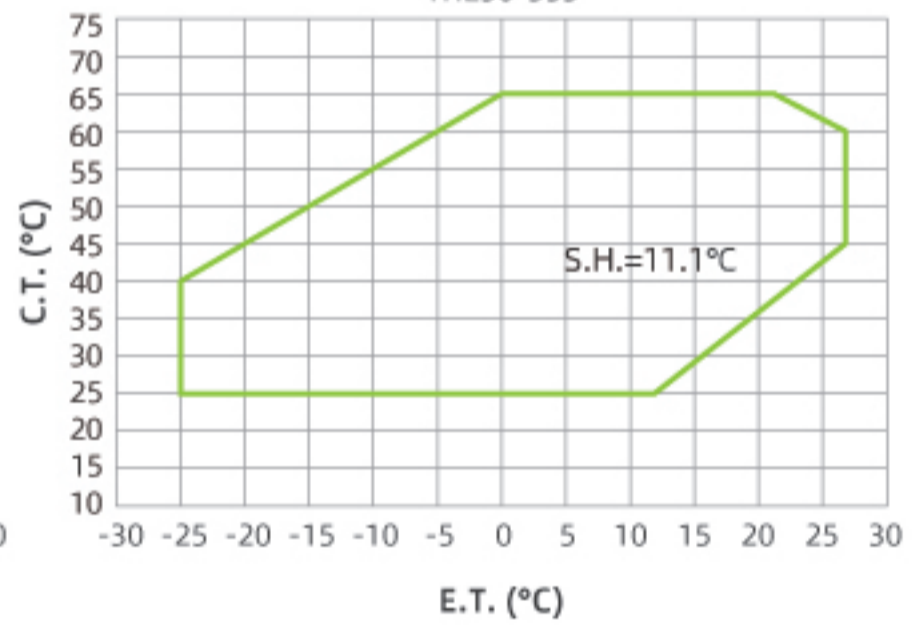
**YH R410A**

— YH95-200    - - - YH400-450



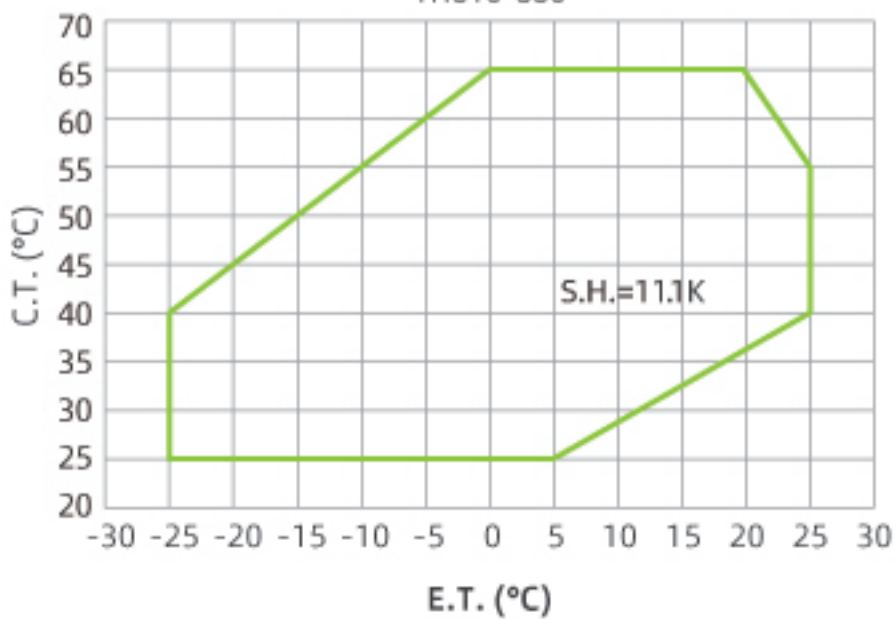
**YH R410A**

YH230-355



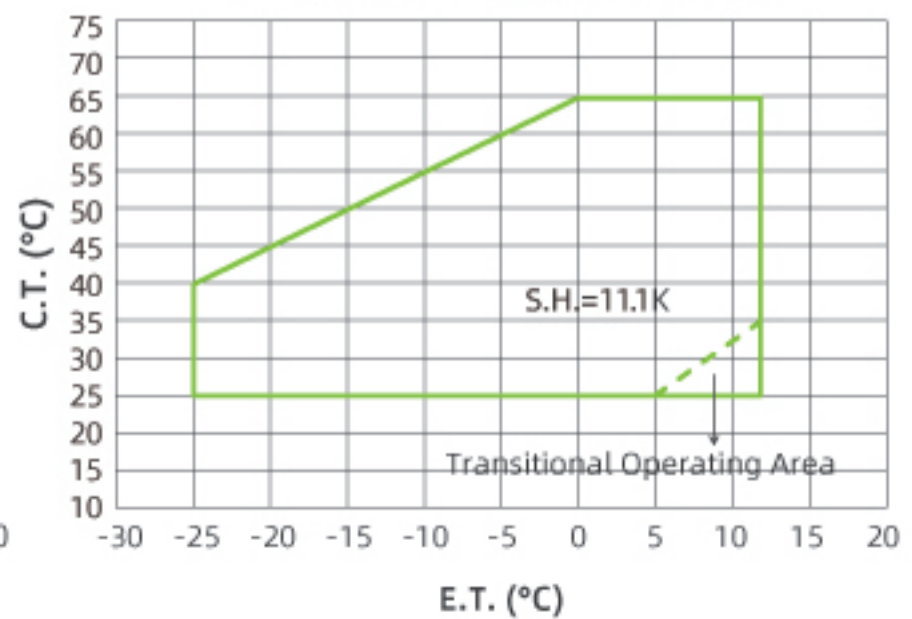
**YH R410A**

YH610-880



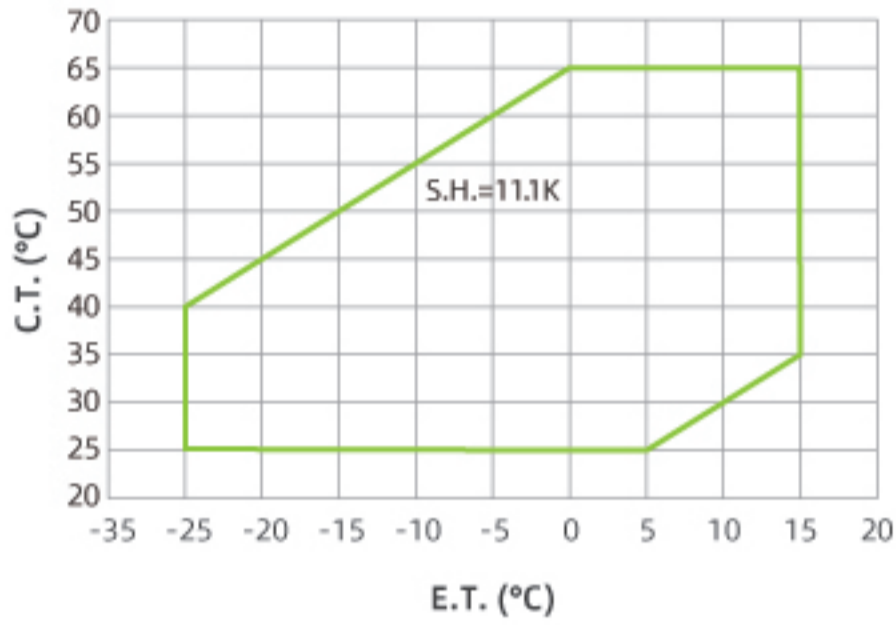
**YH R22/R407C**

— YH69-400    - - - YH450-YH720

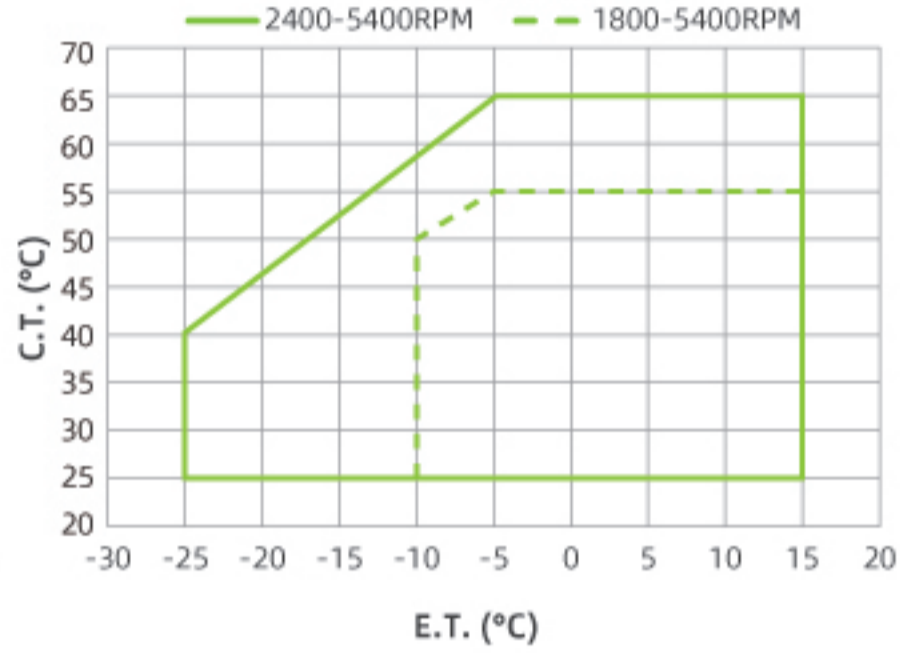


## Operating Envelope

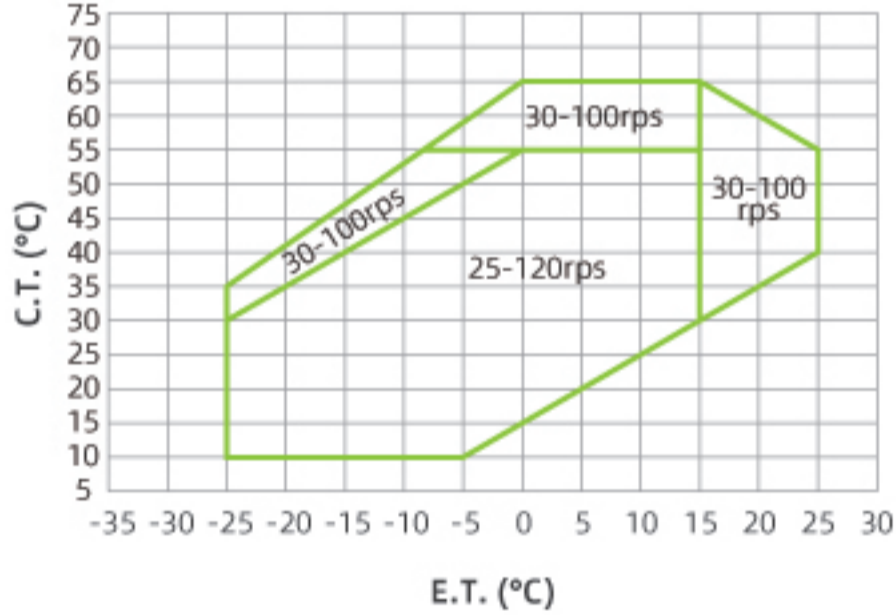
**YHZ R407C**



**YIH38-72 R410A**



**YIH130 R410A**



## Specifications R454B

Model	YA40B1 -100	YA42B1 -100	YA50B1 -100	YA52B1 -100	YA59B1 -100	YA69B1 -100	YA74B1 -100	YA78B1 -100	
Electricity	380-420V/3~/50Hz								
Power in Horse Power (HP)	3.5	3.7	4	4.3	5	6	6.5	7	
Displacement (cc/rev)	38.5	41.4	46	49.4	59.2	66.1	71.3	74.7	
Refrigerant	R454B								
Cooling Capacity (W)	9154	10085	11704	12300	14085	16509	17714	18781	
Power in Watt (W)	3023	3316	3756	3816	4470	5236	5549	5775	
COP (W/W)	3.03	3.04	3.12	3.22	3.15	3.15	3.19	3.25	
Running Current (A)	5.6	6.1	7	7.2	8.3	9.3	10.3	10.7	
LRA (A)	45	60	60	60	60	65	65	85	
MOC (A)	7	8.4	9.2	9.9	12.1	12.1	13	13.6	
Crankcase Heater (W)	70								
Fitting Dimensions (mm)	Discharge Tube(ID)	12.87-12.97							
	Suction Tube(ID)	22.35-22.45							
Product Dimensions (mm)	Length (L)	239							
	Width (W)	239							
	Height (H)	418				463			
	Feet Dimensions (Hole)	190.5x190.5(8.8)							
Oil Type	POE								
Initial Charge Volume (L)	1.4				1.6				
Recharge Volume (L)	1.25				1.45				
Max Pressure (MPa)	High Side	4							
	Low Side	2							
Weight (kg)	30	30	31	31	31	33	33	38	

Nominal Working Conditions: E.T. 7.2°C, C.T. 54.4°C, Suction Superheat 11.1K, Subcooling 8.3K

## Specifications R454B & R32

Model	YA98B1 -100	YA108B1 -100	YA119B1 -100	YA128B1 -100	YA133B1 -100	YH720D1G -100
Electricity	380-420V/3~/50Hz					380-420V/ 3~/50Hz
Power in Horse Power (HP)	8	9	10	11	12	25
Displacement (cc/rev)	90.8	100	107.5	123	131.6	269.0
Refrigerant	R454B					R32
Cooling Capacity (W)	23141	25775	28029	30642	31961	77248
Power in Watt (W)	6968	7806	8496	9432	9716	23297
COP (W/W)	3.32	3.3	3.3	3.25	3.29	3.32
Running Current (A)	13.2	14.3	15	16.5	17	43
LRA (A)	117	117	121	121	121	300.0
MOC (A)	16.5	18	19.3	21.2	23	57.8
Crankcase Heater (W)	90					120
Fitting Dimensions (mm)	Discharge Tube(ID)	22.35-22.45				28.80-28.90
	Suction Tube(ID)	28.83-28.93				41.56-41.66
Product Dimensions (mm)	Length (L)	260				359.8
	Width (W)	244				326.2
	Height (H)	506.7				671.2
	Feet Dimensions (Hole)	190.5x190.5(8.8)				232x232(8.8)
Oil Type	POE					POE
Initial Charge Volume (L)	2.7		3			5.5
Recharge Volume (L)	2.55		2.85			5.3
Max Pressure (MPa)	High Side	4				4.4
	Low Side	2				1.7
Weight (kg)	54	54	54	54	54	108

Nominal Working Conditions: E.T. 7.2°C, C.T. 54.4°C, Suction Superheat 11.1K, Subcooling 8.3K

## Specifications R410A

Model	YH95C2 -100	YH104C2 -100	YH119C2 -100	YH128C2 -100	YH150C2 -100	YH95C1 -100	YH104C1 -100	YH119C1 -100	YH128C1 -100	
Electricity	220V/1~/50Hz					380-420V/3~/50Hz				
Power in Horse Power (HP)	3.5	3.7	4	4.3	5	3.5	3.7	4	4.3	
Displacement (cc/rev)	38.5	41.4	46	49.4	59.2	38.5	41.4	46	49.4	
Refrigerant	R410A									
Cooling Capacity (W)	9583	10700	11900	12800	15000	9500	10700	11900	12800	
Power in Watt (W)	3110	3543	3967	4267	4950	3170	3543	3888	4183	
COP (W/W)	3.08	3.02	3	3	3.03	3	3.02	3.06	3.06	
Running Current (A)	14.4	17.1	19	20.4	23.7	5.8	6.7	7.4	7.7	
LRA (A)	76	109	140	140	140	45	60	60	60	
MOC (A)	20	22.7	28.4	30.6	35.8	7.5	9	9.9	10.6	
Crankcase Heater (W)	70									
Fitting Dimensions (mm)	Discharge Tube(ID)		12.87-12.97							
	Suction Tube(ID)		22.35-22.45							
Product Dimensions (mm)	Length (L)		239							
	Width (W)		239							
	Height (H)		418		463			418		
	Feet Dimensions (Hole)		190.5x190.5(8.8)							
Oil Type	POE									
Initial Charge Volume (L)	1.4									
Recharge Volume (L)	1.25									
Max Pressure (MPa)	High Side		4.3							
	Low Side		2							
Weight (kg)	33	33	37	37	37	30	31	31	31	

Nominal Working Conditions: E.T. 7.2°C, C.T. 54.4°C, Suction Superheat 11.1K, Subcooling 8.3K

## Specifications R410A

Model	YH150C1 -100	YH175C1 -100	YH183C1 -100	YH200C1 -100	YH230C1 -100	YH266C1 -100	YH292C1 -100	YH325C1 -100	YH355C1 -100	
Electricity	380-420V/3~/50Hz									
Power in Horse Power (HP)	5	6	6.5	7	8	9	10	11	12	
Displacement (cc/rev)	59.2	66.1	71.3	74.7	90.8	100	107.5	123	131.6	
Refrigerant	R410A									
Cooling Capacity (W)	15000	17300	18300	19600	23000	26600	29200	32500	34800	
Power in Watt (W)	4854	5545	5810	6200	7210	8340	9070	10100	10800	
COP (W/W)	3.09	3.12	3.15	3.16	3.19	3.19	3.22	3.22	3.22	
Running Current (A)	8.6	9.7	10.4	11.6	13.4	14.8	15.8	17.7	18.2	
LRA (A)	60	65	65	85	117	117	121	121	121	
MOC (A)	13	13.5	14	17.1	18.3	21.1	23.6	25	26.8	
Crankcase Heater (W)	70					90				
Fitting Dimensions (mm)	Discharge Tube(ID)		12.87-12.97			22.35-22.45				
	Suction Tube(ID)		22.35-22.45			28.83-28.93				
Product Dimensions (mm)	Length (L)		239			260				
	Width (W)		239			244				
	Height (H)		418		463			506.7		
	Feet Dimensions (Hole)		190.5x190.5(8.8)							
Oil Type	POE									
Initial Charge Volume (L)	1.4	1.6			2.7		3			
Recharge Volume (L)	1.25	1.45			2.55		2.85			
Max Pressure (MPa)	High Side		4.3							
	Low Side		2							
Weight (kg)	31	33	33	38	53	53	54	54	54	

Nominal Working Conditions: E.T. 7.2°C, C.T. 54.4°C, Suction Superheat 11.1K, Subcooling 8.3K

## Specifications R410A

Model	YH400C1-105	YH450C1-105	YH610C1G-100	YH720C1G-100	YH880C1G-100
Electricity	380-420V/3~/50Hz				
Power in Horse Power (HP)	13	15	20	25	30
Displacement (cc/rev)	142.6	167.2	235.6	269	332.8
Refrigerant	R410A				
Cooling Capacity (W)	39250	45044	61900	71200	88000
Power in Watt (W)	12258	13759	18620	21254	26800
COP (W/W)	3.2	3.27	3.32	3.35	3.3
Running Current (A)	21.5	24.1	33.6	38.5	50
LRA (A)	148.5	148.5	266	300	348
MOC (A)	32.5	36	45	53	66
Crankcase Heater (W)	90		120		
Fitting Dimensions (mm)	Discharge Tube(ID)	22.35-22.45		28.80-28.90	
	Suction Tube(ID)	28.83-28.93		41.56-41.66	
Product Dimensions (mm)	Length (L)	260		359.8	
	Width (W)	244		326.2	
	Height (H)	556.5		671.2	
	Feet Dimensions (Hole)	190.5×190.5(8.8)		232×232(8.8)	
Oil Type	POE				
Initial Charge Volume (L)	3.7		5.5		
Recharge Volume (L)	3.5		5.3		
Max Pressure (MPa)	High Side	4.3			
	Low Side	2			
Weight (kg)	59	59	100	104	108

Nominal Working Conditions: E.T. 7.2°C, C.T. 54.4°C, Suction Superheat 11.1K, Subcooling 8.3K

## Specifications R407C

Model	YH69T2-102	YH89T2-102	YH104T2-100	YH119T2-100	YH128T2-100	YH69T6-100	YH89T6-100	YH104T6-100	YH119T6-100
Electricity	220V/1~/50Hz					220V/3~/50Hz			
Power in Horse Power (HP)	2	3	3.5	4	4.3	2	3	3.5	4
Displacement (cc/rev)	38.5	49.4	59.2	66.1	71.3	38.5	49.4	59.2	66.1
Refrigerant	R407C								
Cooling Capacity (W)	6530	8540	10180	11420	12290	6500	8609	10213	11995
Power in Watt (W)	2200	2827	3250	3660	3870	2170	2782	3177	3820
COP (W/W)	2.96	3.02	3.13	3.12	3.18	3	3.09	3.21	3.14
Running Current (A)	10.4	13.4	15.4	17.3	18.4	7.6	9.06	11.29	12.7
LRA (A)	76	76	109	109	109	104	104	132	132
MOC (A)	14.6	19.4	21.7	24.4	26.3	9.1	12.1	13.4	16.8
Crankcase Heater (W)	70								
Fitting Dimensions (mm)	Discharge Tube(ID)	12.87-12.97							
	Suction Tube(ID)	22.35-22.45							
Product Dimensions (mm)	Length (L)	239							
	Width (W)	239							
	Height (H)	418							
	Feet Dimensions (Hole)	190.5×190.5(8.8)							
Oil Type	POE								
Initial Charge Volume (L)	1.4					1.6			
Recharge Volume (L)	1.25					1.45			
Max Pressure (MPa)	High Side	3							
	Low Side	2							
Weight (kg)	31	31	33	33	33	30	30	31.5	31.5

Nominal Working Conditions: E.T. 7.2°C, C.T. 54.4°C, Suction Superheat 11.1K, Subcooling 8.3K

## Specifications R407C

Model	YH128T6 -100	YH150T6 -100	YH230T6 -100	YH266T6 -100	YH307T6 -100	YH355T6 -100	YH69T1 -100	YH89T1 -100	YH104T1 -100	
Electricity	220V/3~/50Hz						380-420V/3~/50Hz			
Power in Horse Power (HP)	4.3	5	8	9	10	12	2	3	3.5	
Displacement (cc/rev)	71.3	83.3	123	142	167.2	189.1	38.5	49.4	59.2	
Refrigerant	R407C									
Cooling Capacity (W)	12689	14568	21811	26853	29955	34080	6530	8540	10180	
Power in Watt (W)	3962	4569	6616	7894	9075	10240	2160	2680	3190	
COP (W/W)	3.2	3.19	3.3	3.4	3.3	3.3	3.02	3.19	3.19	
Running Current (A)	12.8	14.3	21.7	25.1	27.5	30.8	4.8	5.3	6.6	
LRA (A)	132	132	192.2	192	202.4	202.4	45	45	60	
MOC (A)	18.6	20.5	27.1	32	38.2	43.3	6.2	7.6	8.7	
Crankcase Heater (W)	70		90				70			
Fitting Dimensions (mm)	Discharge Tube(ID)		12.87-12.97				22.35-22.45		12.87-12.97	
	Suction Tube(ID)		22.35-22.45				28.83-28.93		22.35-22.45	
Product Dimensions (mm)	Length (L)		239				260		239	
	Width (W)		239				244		239	
	Height (H)		418				506.7		418	
	Feet Dimensions (Hole)		190.5x190.5(8.8)							
Oil Type	POE									
Initial Charge Volume (L)	1.6		2.7		3		1.4			
Recharge Volume (L)	1.45		2.55		2.85		1.25			
Max Pressure (MPa)	High Side		3							
	Low Side		2							
Weight (kg)	31.5	31.5	53	53	56	56	30	30	31	

Nominal Working Conditions: E.T. 7.2°C, C.T. 54.4°C, Suction Superheat 11.1K, Subcooling 8.3K

## Specifications R407C

Model	YH119T1 -100	YH128T1 -100	YH133T1 -100	YH140T1 -100	YH150T1 -100	YH175T1 -100	YH200T1 -100	YHZ82T1 -100	YHZ140 T1-100	YHZ185 T1-100
Electricity	380-420V/3~/50Hz									
Power in Horse Power (HP)	4	4.3	4.5	4.7	5	6	7	3	5	7
Displacement (cc/rev)	66.1	71.3	74.1	77.6	83.3	97.1	108	49.4	83.3	108
Refrigerant	R407C									
Cooling Capacity (W)	11420	12290	12770	13440	14400	16510	19300	8200	13795	18267
Power in Watt (W)	3550	3750	3900	4130	4410	5030	5970	2628	4310	5666
COP (W/W)	3.22	3.28	3.27	3.25	3.27	3.28	3.23	3.12	3.2	3.22
Running Current (A)	7.1	7.6	7.8	8	8.4	9.1	11.2	5.3	8.4	10.8
LRA (A)	60	60	60	60	60	65	85	45	60	85
MOC (A)	9.7	10.2	10.6	11.1	11.6	13.6	16.1	7.6	11.6	16.1
Crankcase Heater (W)	70									
Fitting Dimensions (mm)	Discharge Tube(ID)		12.87-12.97							
	Suction Tube(ID)		22.35-22.45							
Product Dimensions (mm)	Length (L)		239				558.5		558.5	
	Width (W)		239				285			
	Height (H)		418				463		174	
	Feet Dimensions (Hole)		190.5x190.5(8.8)						220x280(8.8)	
Oil Type	POE									
Initial Charge Volume (L)			1.4		1.6		1.4		1.6	
Recharge Volume (L)			1.25		1.45		1.25		1.45	
Max Pressure (MPa)	High Side		3							
	Low Side		2							
Weight (kg)	31	31	31	31	31	33	38	34	34	40

Nominal Working Conditions: E.T. 7.2°C, C.T. 54.4°C, Suction Superheat 11.1K, Subcooling 8.3K

## Specifications R407C

Model	YH230T1 -100	YH266T1 -100	YH307T1 -100	YH355T1 -100	YH400T1 -105	YH450T1 -100	YH610T1G -100	YH720T1G -100	
Electricity	380-420V/3~/50Hz								
Power in Horse Power (HP)	8	9	10	12	13	15	20	25	
Displacement (cc/rev)	123	142	167.2	189.1	210	246	332.6	392	
Refrigerant	R407C								
Cooling Capacity (W)	22180	25530	29470	34080	39100	42220	58033	68356	
Power in Watt (W)	6770	7780	8910	10240	12100	13156	17444	20547	
COP (W/W)	3.28	3.28	3.31	3.33	3.4	3.21	3.32	3.32	
Running Current (A)	12.9	14.8	15.6	17.8	21.5	20.5	31.5	36.7	
LRA (A)	117	117	121	121	148.5	170	205	266	
MOC (A)	17.6	19.7	22.5	25.3	32.2	31.5	40	51	
Crankcase Heater (W)	90					120			
Fitting Dimensions (mm)	Discharge Tube(ID)	22.35-22.45					28.80-28.90		
	Suction Tube(ID)	28.83-28.93					41.56-41.66		
Product Dimensions (mm)	Length (L)	260					359.8		
	Width (W)	244					326.2		
	Height (H)	506.7				556.5	611.2	671.2	
	Feet Dimensions (Hole)	190.5x190.5(8.8)					232x232(8.8)		
Oil Type	POE								
Initial Charge Volume (L)	2.7		3		3.7	4.2	5.5		
Recharge Volume (L)	2.55		2.85		3.45	4	5.3		
Max Pressure (MPa)	High Side	3							
	Low Side	2							
Weight (kg)	53	53	54	54	57	95	100	104	

Nominal Working Conditions: E.T. 7.2°C, C.T. 54.4°C, Suction Superheat 11.1K, Subcooling 8.3K

## Specifications R22

Model	YH69A2 -102	YH89A2 -102	YH104A2 -100	YH119A2 -100	YH128A2 -100	YH133A2 -100	YH140A2 -100	YH150A2 -100	
Electricity	220V/1~/50Hz								
Power in Horse Power (HP)	2	3	3.5	4	4.3	4.5	4.7	5	
Displacement (cc/rev)	38.5	49.4	59.2	66.1	71.3	74.1	77.6	83.8	
Refrigerant	R22								
Cooling Capacity (W)	6800	8900	10600	11900	12800	13300	14000	15000	
Power in Watt (W)	2180	2799	3230	3625	3830	4030	4240	4545	
COP (W/W)	3.12	3.18	3.28	3.28	3.34	3.3	3.3	3.3	
Running Current (A)	10.3	13.3	15.3	17.2	18.2	19.1	20.1	21.7	
LRA (A)	76	76	109	109	109	140	140	140	
MOC (A)	14.5	19.2	21.5	24.2	26	27	28.4	30.9	
Crankcase Heater (W)	70								
Fitting Dimensions (mm)	Discharge Tube(ID)	12.87-12.97							
	Suction Tube(ID)	22.35-22.45							
Product Dimensions (mm)	Length (L)	239							
	Width (W)	239							
	Height (H)	418				463			
	Feet Dimensions (Hole)	190.5x190.5(8.8)							
Oil Type	3GS								
Initial Charge Volume (L)	1.4								
Recharge Volume (L)	1.25								
Max Pressure (MPa)	High Side	3							
	Low Side	2							
Weight (kg)	31	31	33	33	33	37	37	37	

Nominal Working Conditions: E.T. 7.2°C, C.T. 54.4°C, Suction Superheat 11.1K, Subcooling 8.3K

## Specifications R22

Model	YH69A1 -100	YH89A1 -100	YH104A1 -100	YH119A1 -100	YH128A1 -100	YH133A1 -100	YH140A1 -100	YH150A1 -100	YH175A1 -100	YH200A1 -100
Electricity	380-420V/3~/50Hz									
Power in Horse Power (HP)	2	3	3.5	4	4.3	4.5	4.7	5	6	7
Displacement (cc/rev)	38.5	49.4	59.2	66.1	71.3	74.1	77.6	83.3	97.1	108
Refrigerant	R22									
Cooling Capacity (W)	6800	8900	10600	11900	12800	13300	14000	15000	17200	20110
Power in Watt (W)	2140	2650	3160	3520	3710	3860	4090	4370	4980	5910
COP (W/W)	3.18	3.35	3.35	3.38	3.45	3.45	3.42	3.42	3.45	3.4
Running Current (A)	4.8	5.3	6.5	7	7.5	7.7	8	8.3	9	10.8
LRA (A)	45	45	60	60	60	60	60	60	65	85
MOC (A)	6.1	7.5	8.6	9.6	10.1	10.5	11	11.5	13.5	16.1
Crankcase Heater (W)	70									
Fitting Dimensions (mm)	Discharge Tube(ID)		12.87-12.97							
	Suction Tube(ID)		22.35-22.45							
Product Dimensions (mm)	Length (L)		239							
	Width (W)		239							
	Height (H)		418							463
	Feet Dimensions (Hole)		190.5×190.5(8.8)							
Oil Type	3GS									
Initial Charge Volume (L)	1.4								1.6	
Recharge Volume (L)	1.25								1.45	
Max Pressure (MPa)	High Side		3							
	Low Side		2							
Weight (kg)	30	30	31	31	31	31	31	31	33	38

Nominal Working Conditions: E.T. 7.2°C, C.T. 54.4°C, Suction Superheat 11.1K, Subcooling 8.3K

## Specifications R22

Model	YH230A1 -100	YH266A1 -100	YH307A1 -100	YH355A1 -100	YH400A1 -105	YH450A1 -100	YH610A1 -100	YH720A1 -100
Electricity	380-420V/3~/50Hz							
Power in Horse Power (HP)	8	9	10	12	13	15	20	25
Displacement (cc/rev)	123	142	167.2	189.1	210	246	332.8	392
Refrigerant	R22							
Cooling Capacity (W)	23100	26600	30700	35500	40800	43777	59224	69759
Power in Watt (W)	6700	7700	8820	10140	12000	12991	17575	20701
COP (W/W)	3.45	3.45	3.48	3.5	3.4	3.37	3.37	3.37
Running Current (A)	12.7	14.6	15.4	17.6	21.2	20.5	31.5	36.7
LRA (A)	117	117	121	121	148.5	170	266	266
MOC (A)	17.4	19.5	22.3	25	32	31.5	40	50.1
Crankcase Heater (W)	90						120	
Fitting Dimensions (mm)	Discharge Tube(ID)		22.35-22.45				28.80-28.90	
	Suction Tube(ID)		28.83-28.93				41.56-41.66	
Product Dimensions (mm)	Length (L)		260				359.8	
	Width (W)		244				326.2	
	Height (H)		506.7			556.5	611.2	671.2
	Feet Dimensions (Hole)		190.5×190.5(8.8)				232×232(8.8)	
Oil Type	3GS							
Initial Charge Volume (L)	2.7		3		3.7	4.2	5.5	
Recharge Volume (L)	2.55		2.85		3.45	4	5.3	
Max Pressure (MPa)	High Side		3					
	Low Side		2					
Weight (kg)	53	53	54	54	57	95	104	104

Nominal Working Conditions: E.T. 7.2°C, C.T. 54.4°C, Suction Superheat 11.1K, Subcooling 8.3K

## Specifications Variable Speed R410A

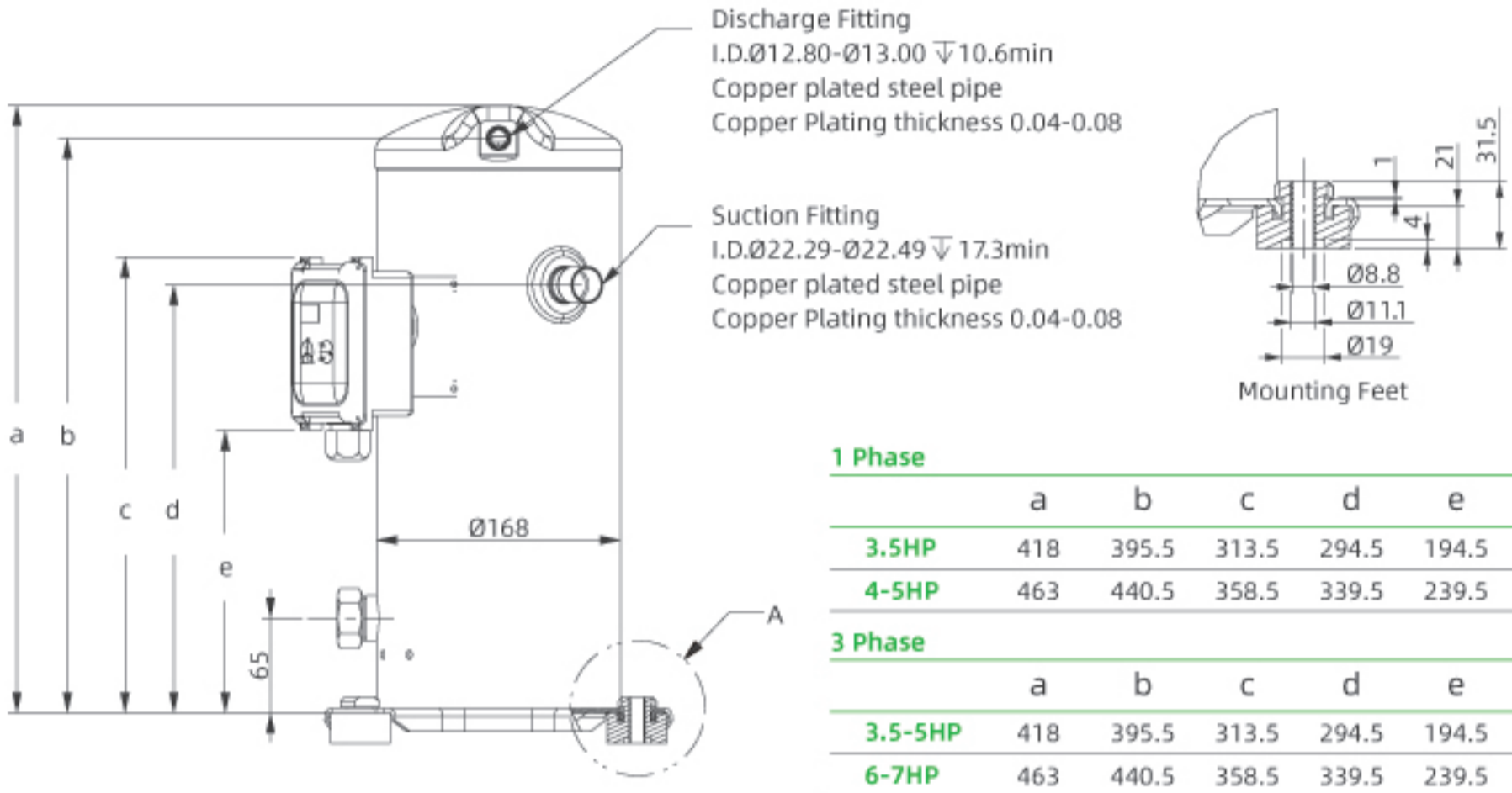
Model	YIH38C1G-100	YIH42C1G-100	YIH50C1G-100	YIH60C1G-100	YIH72C1G-100	YIH130C1G-100
Power Input to Inverter Driver	380-420V/3~/50Hz or 60Hz					
Displacement (cc/rev)	38	42	50	60	72	130
Refrigerant	R410A					
Cooling Capacity (W)	16158	17858	21260	25111	29769	54400
Power in Watt (W)	4995	5521	6572	7814	9190	16688
COP (W/W)	3.23	3.23	3.23	3.21	3.24	3.26
Running Current (A)	8.4	8.7	12.3	13.7	15.8	34
MOC (A)	12.9	13.3	18.8	21	24.2	75
Rated Motor Speed (RPM)	4500					
Running Speed (RPM)	1800-5400					1500-7200
Crankcase Heater (W)	70					120
Fitting Dimensions (mm)	Discharge Tube(ID)	12.87-12.97				28.5-28.9
	Suction Tube(ID)	22.35-22.45				35.2-35.8
Product Dimensions (mm)	Length (L)	239				359.8
	Width (W)	239				326.2
	Height (H)	419				612.2
	Feet Dimensions (Hole)	190.5×190.5(8.8)				232×232(8.8)
Oil Type	POE					
Initial Charge Volume (L)	1.4					5.5
Recharge Volume (L)	1.25					5.2
Max Pressure (MPa)	High Side	4.3				
	Low Side	2				
Weight (kg)	29.5	29.5	29.5	29.5	29.5	80

Nominal Working Conditions: E.T. 7.2°C, C.T. 54.4°C, Suction Superheat 11.1K, Subcooling 8.3K

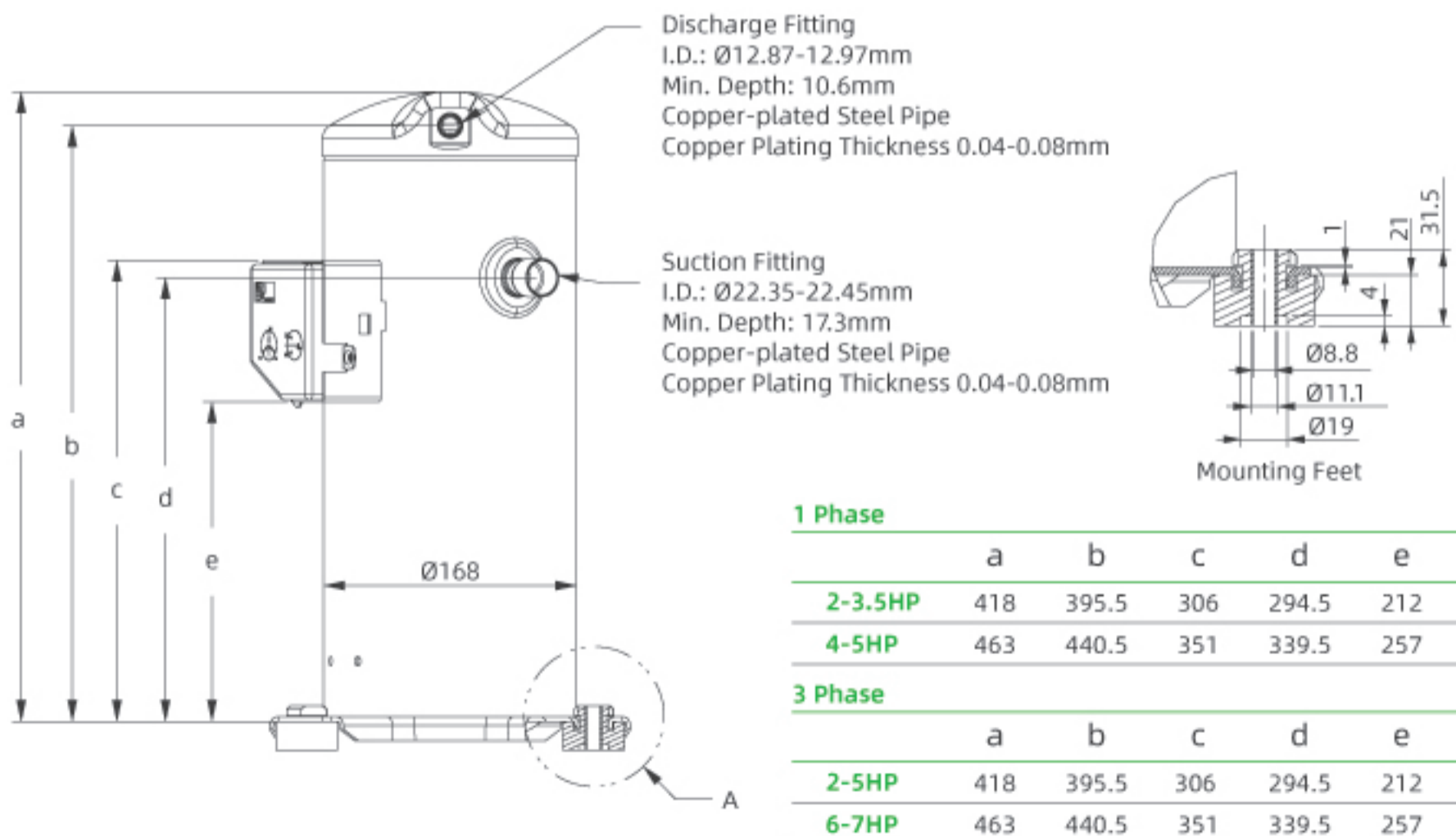
Model	YIH38C1G-100	YIH42C1G-100	YIH50C1G-100	YIH60C1G-100	YIH72C1G-100	YIH130C1G-100
Motor Speed (RPM)	1800					
Cooling Capacity (W)	6221	6875	8185	9668	11461	21760
Power in Watt (W)	2128	2352	2800	3329	3915	6675
Motor Speed (RPM)	3600					
Cooling Capacity (W)	12926	14286	17008	20089	23815	43520
Power in Watt (W)	3996	4417	5258	6251	7352	13350
Motor Speed (RPM)	5400					
Cooling Capacity (W)	19390	21430	25512	30133	35723	65280
Power in Watt (W)	6124	6769	8057	9580	11267	20026

E.T. 7.2°C, C.T. 54.4°C, Suction Superheat 11.1K, Subcooling 8.3K @1800 RPM, 3600 RPM & 5400 RPM

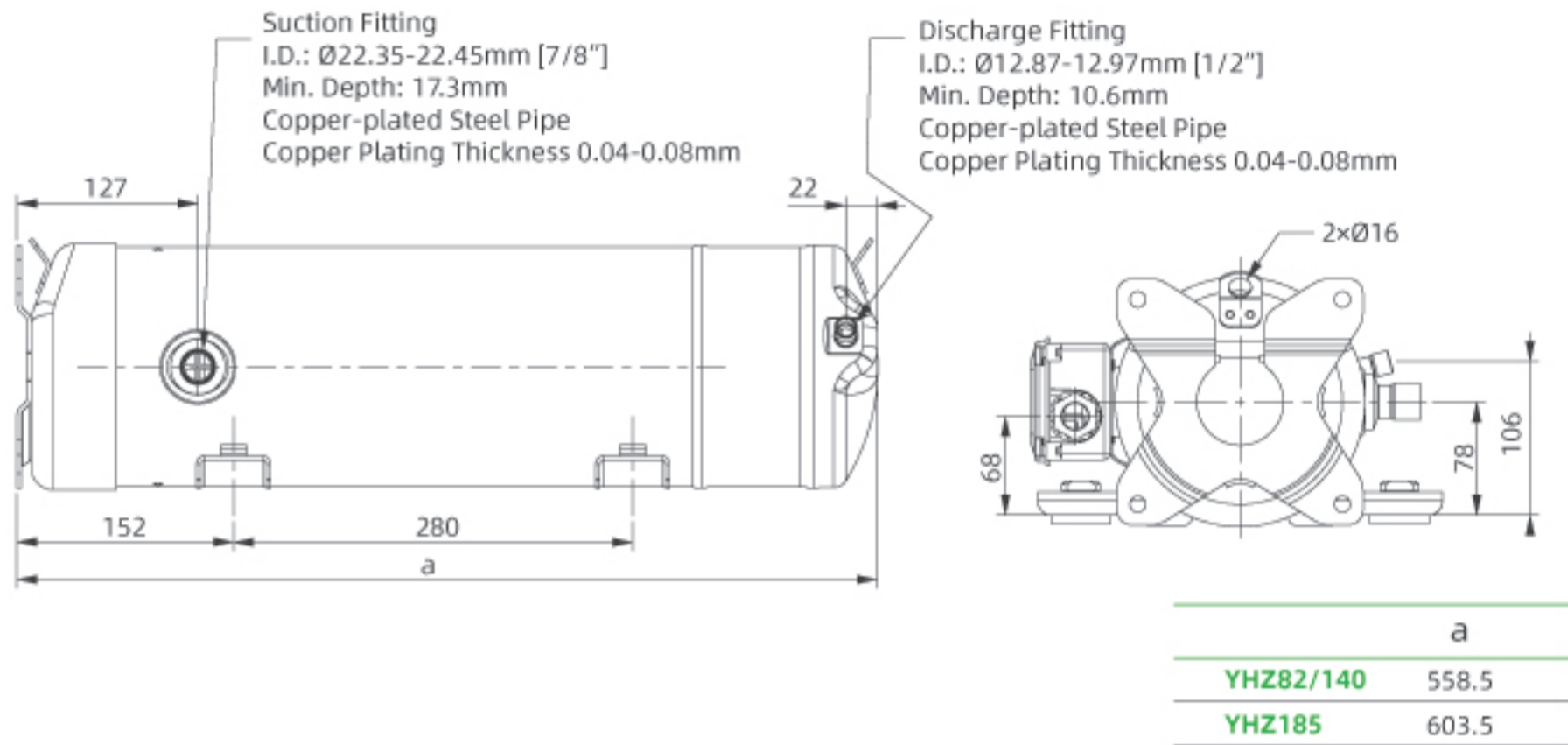
## Dimensions R454B 3.5-7hp



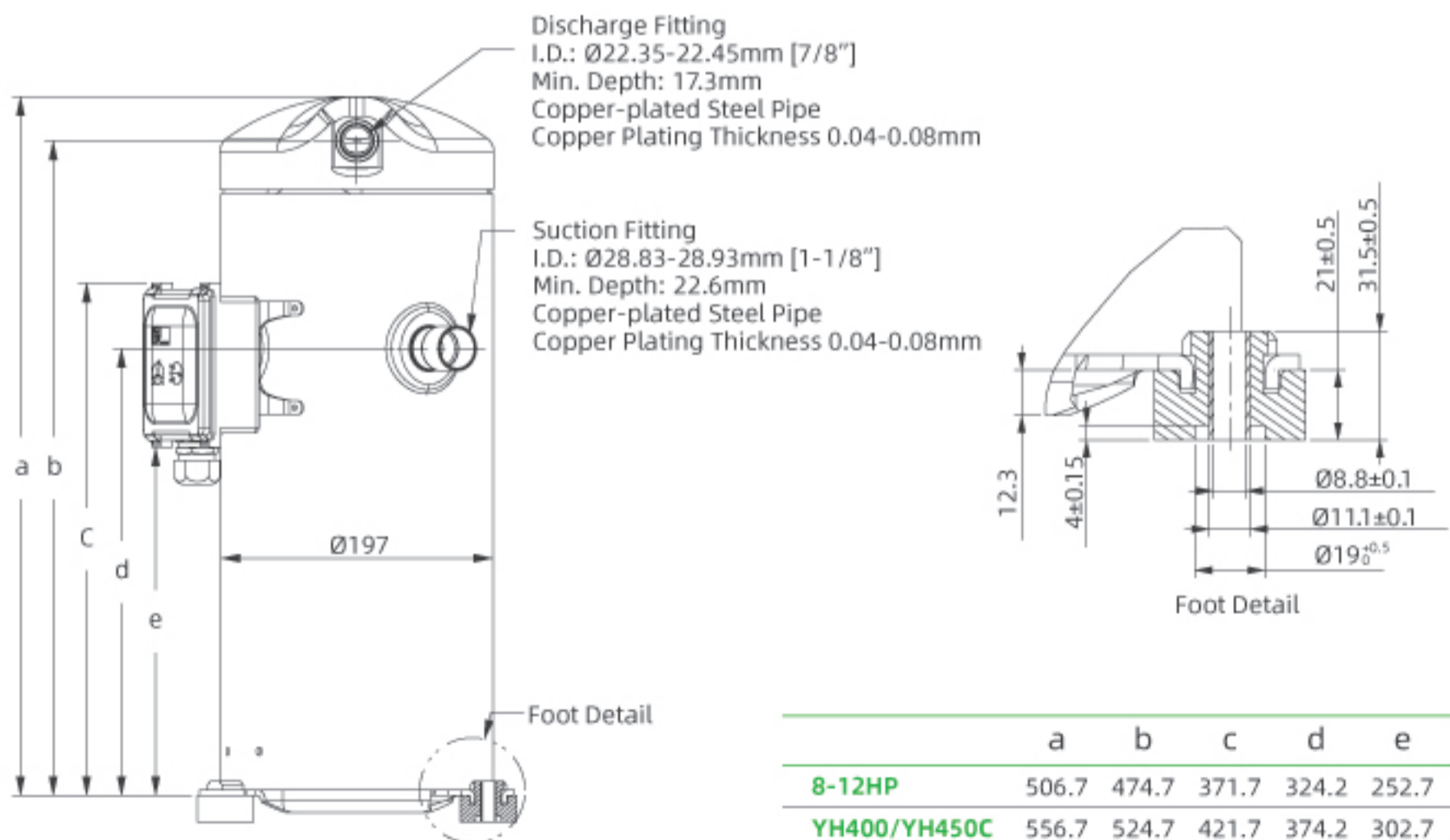
## Dimensions 2-7HP



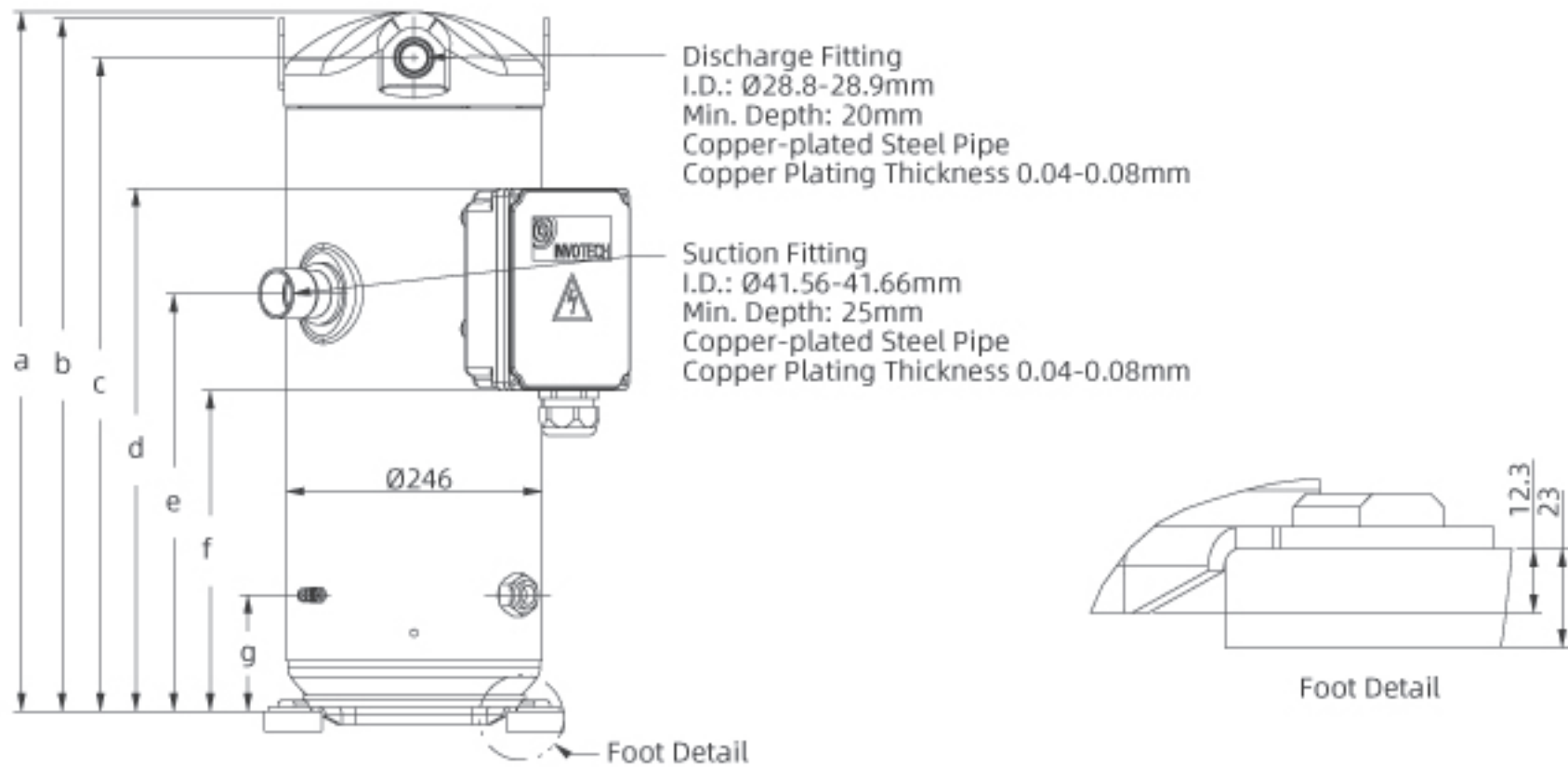
## Dimensions Horizontal YHZ82-185



## Dimensions 8-15HP

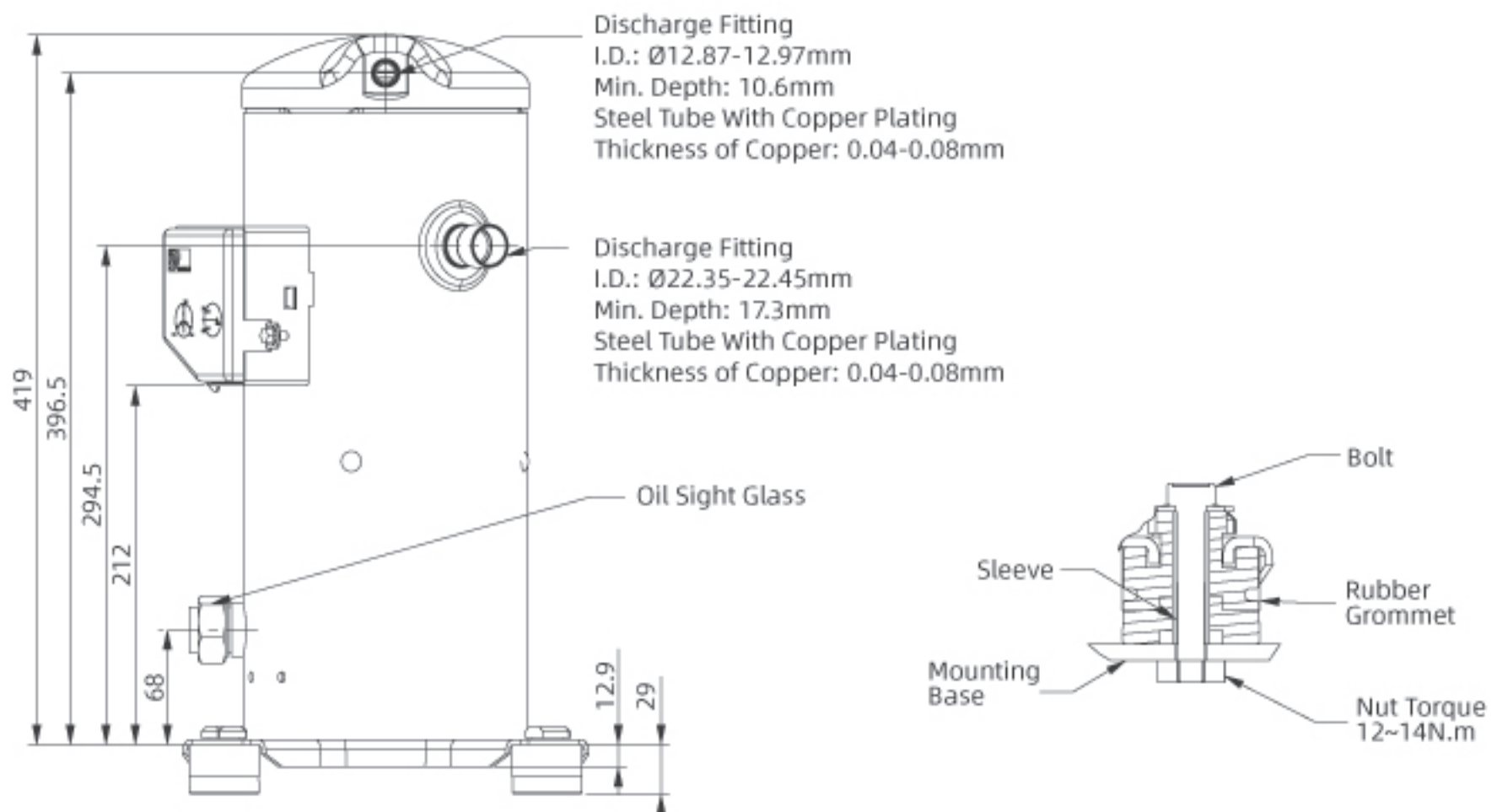


## Dimensions 15-30HP

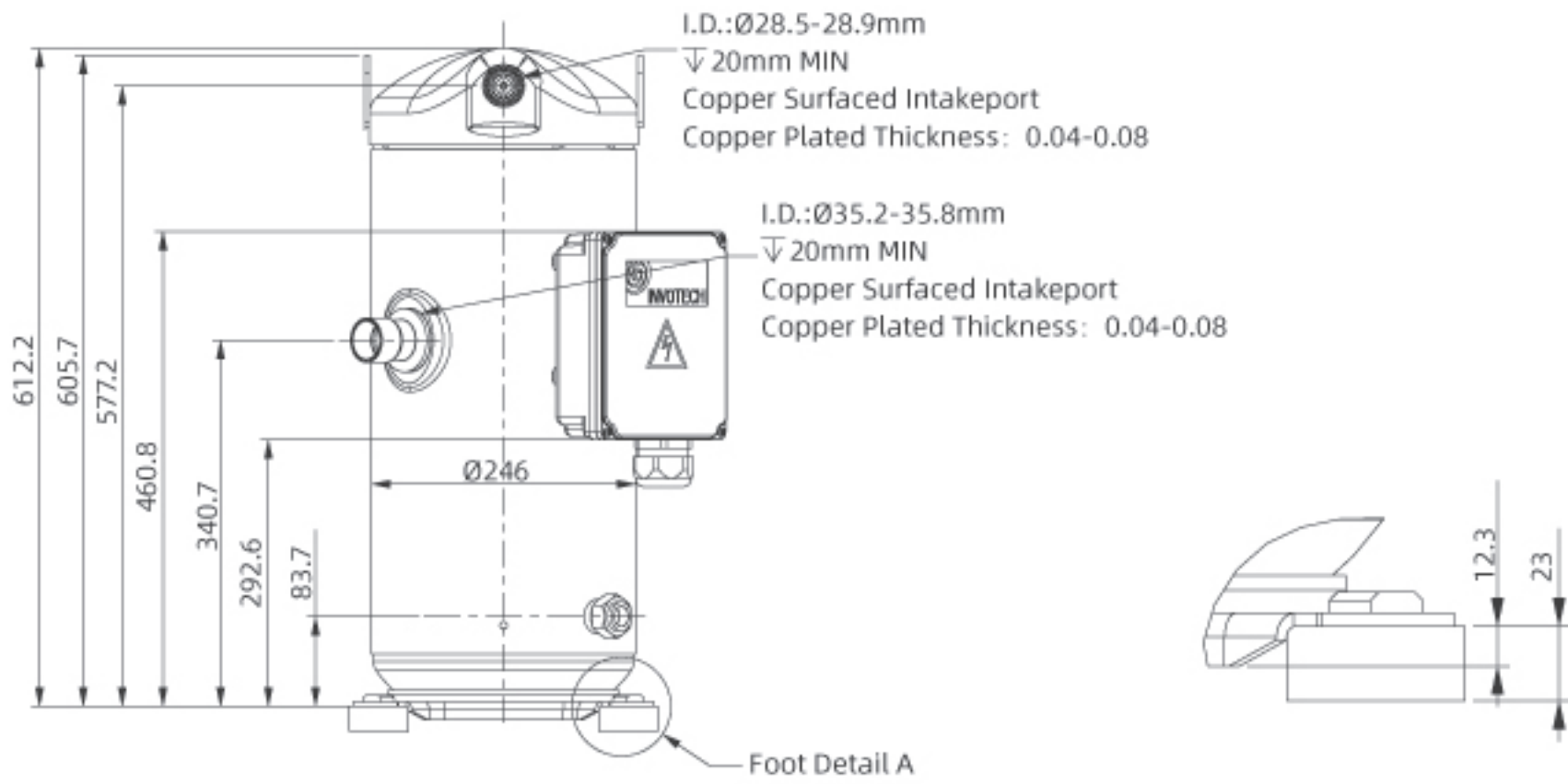


	a	b	c	d	e	f	g
<b>YH450T/YH450A</b>	611.2	604.7	567.2	442.1	340.7	248.1	83.7
<b>20-30HP</b>	671.2	664.7	627.2	502.1	400.7	308.1	111.7

## Dimensions Variable Speed YH38-72



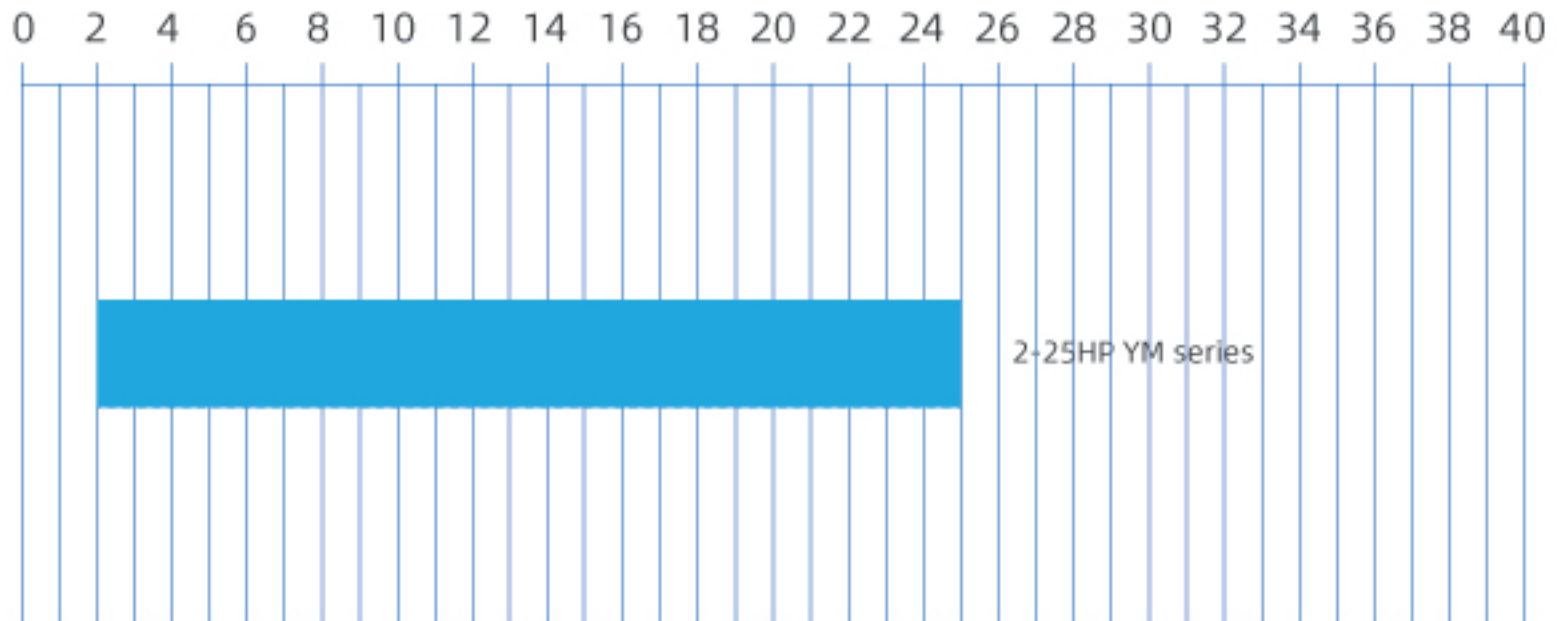
## Dimensions Variable Speed YIH130



# **SCROLL COMPRESSORS FOR MEDIUM TEMPERATURE REFRIGERATION**

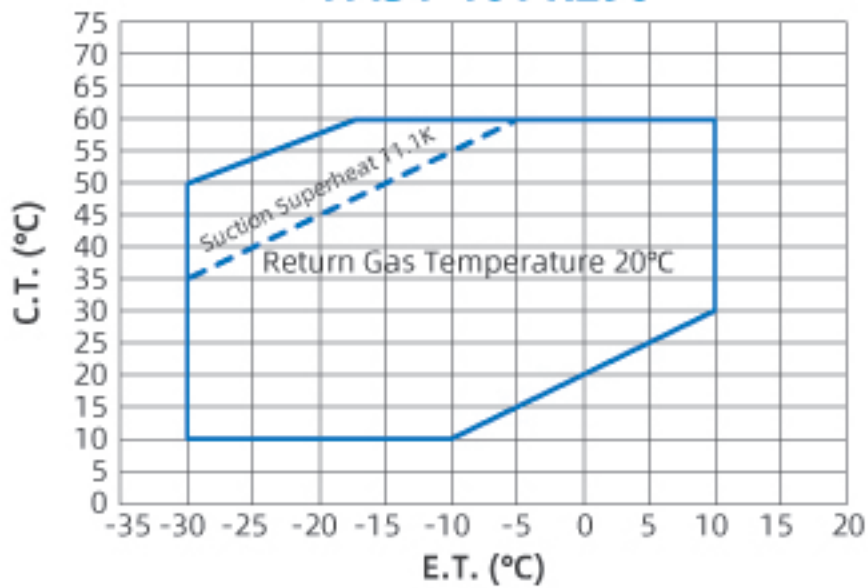


## Product Line-up

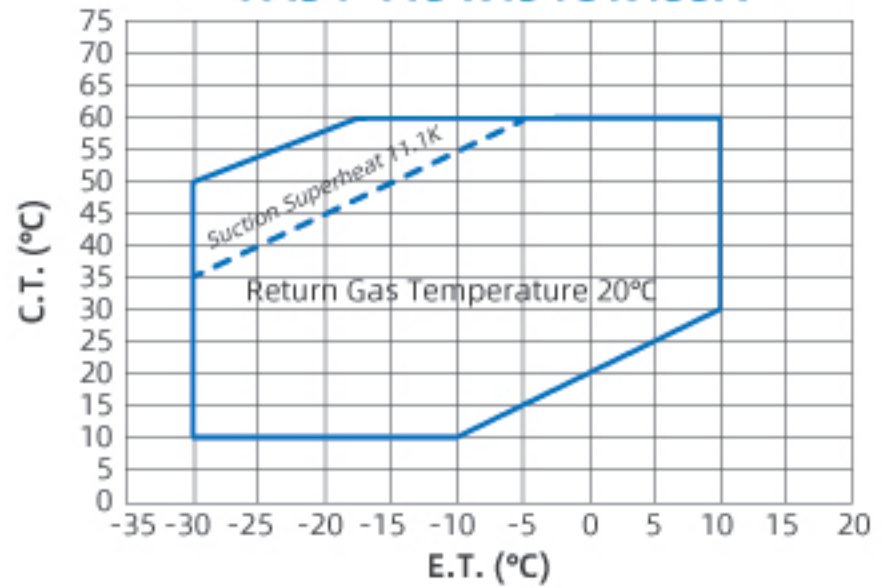


## Operating Envelope

**YM31-101 R290**

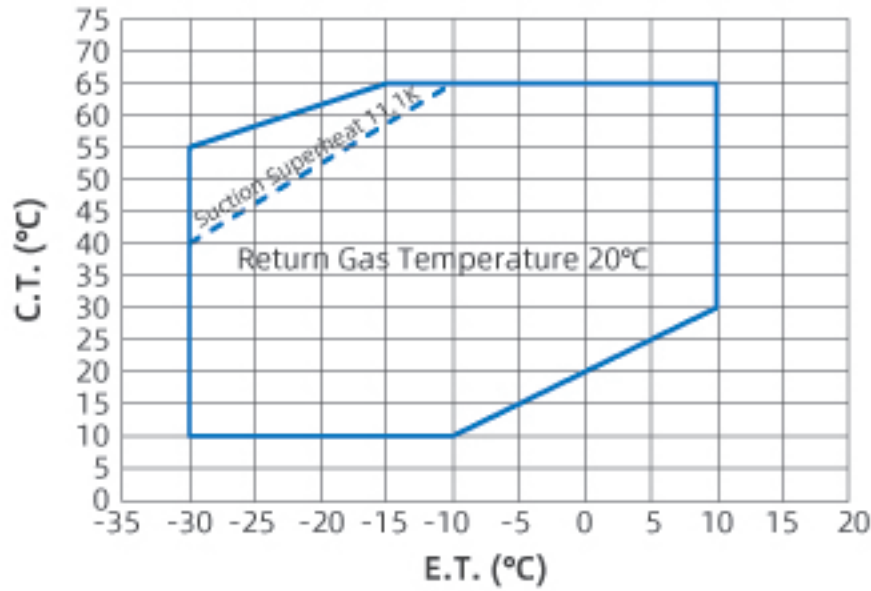


**YM34-115 R454C R455A**

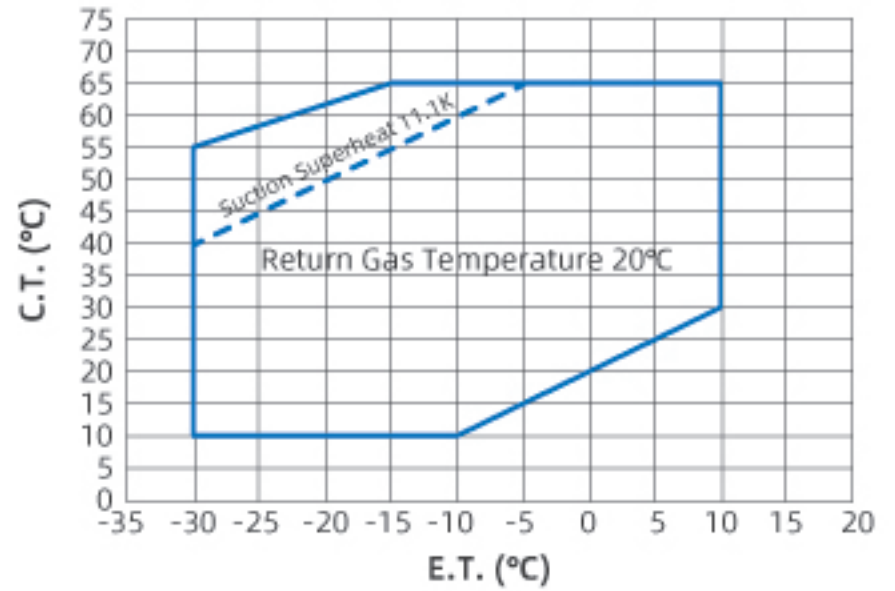


## Operating Envelope

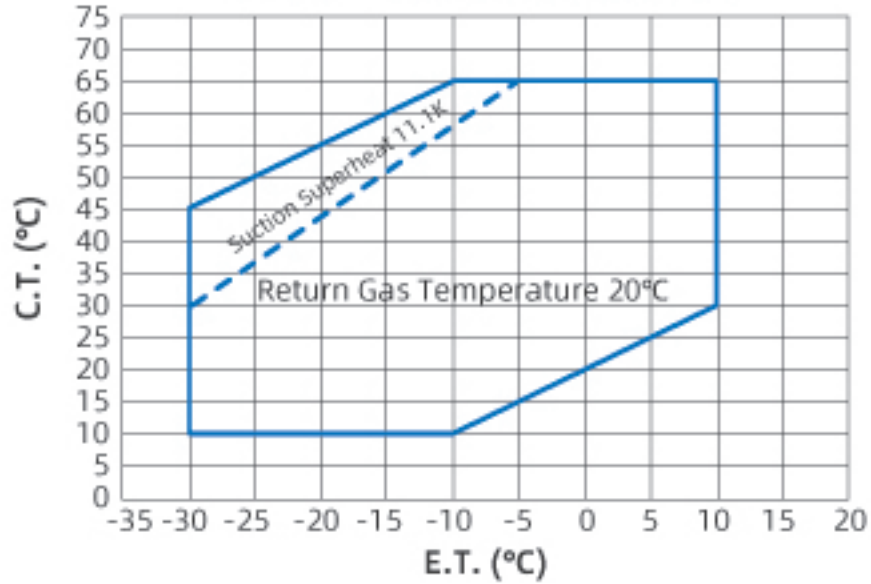
**YM34-260/YMZ46-110 R404A**



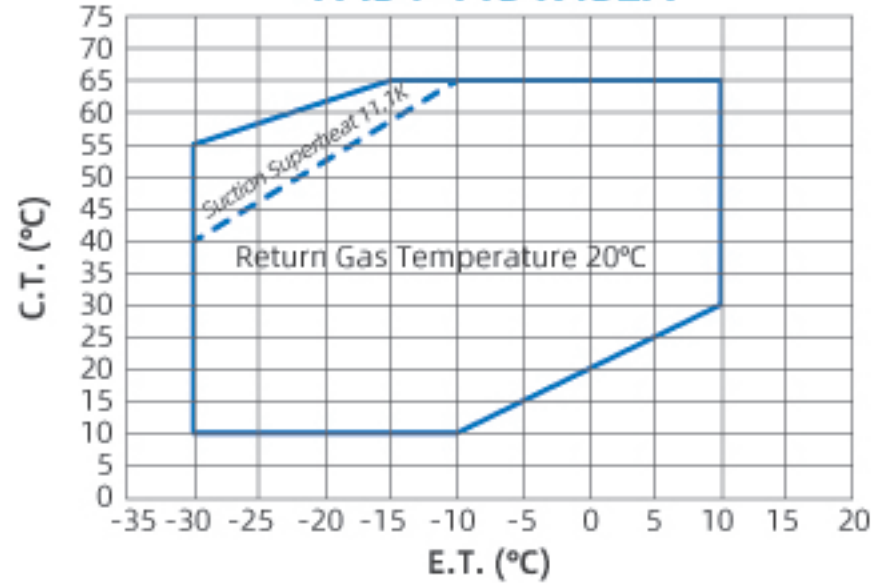
**YM350-410 R404A**



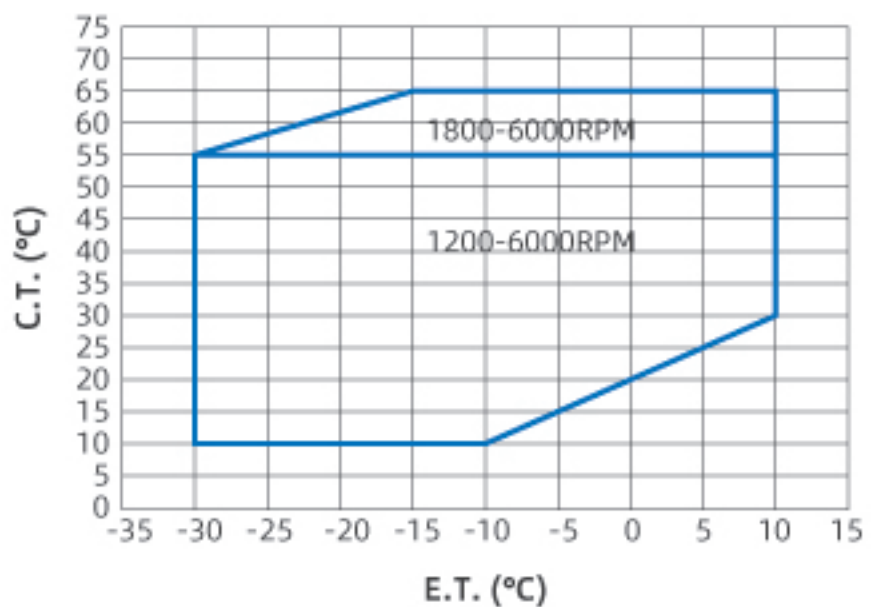
**YM34-115 R448A R449A**



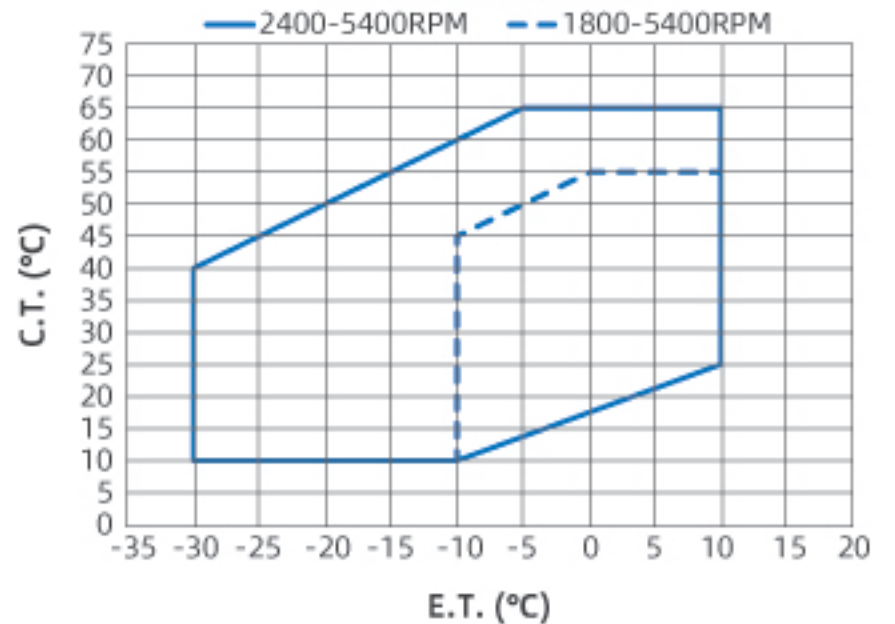
**YM34-115 R452A**



**YIM38-72 R290**



**YIM38-72 R404A**



## Specifications R290

Model	YM31P1 -100	YM37P1 -100	YM42P1 -100	YM52P1 -100	YM60P1 -100	YM73P1 -100	YM90P1 -100	YM101P1 -100
Electricity	380-420V/3~/50Hz							
Power in Horse Power (HP)	2	2.5	3	3.5	4	5	6	7
Displacement (cc/rev)	33.3	42	46.6	58	67.8	83.3	98.3	108
Refrigerant	R290							
Cooling Capacity (W)	3049	3726	4203	5389	6215	7714	8965	10019
Power in Watt (W)	15900	1820	2049	2477	2851	3412	3978	4303
COP (W/W)	1.92	2.05	2.05	2.18	2.18	2.26	2.25	2.33
Running Current (A)	2.8	3.3	3.6	5.0	5.5	6.5	7.3	7.7
LRA (A)	22	22	22	45	45	60	60	60
MOC (A)	4.0	4.5	5.0	6.6	7	8.3	9.7	10.8
Crankcase Heater (W)	70							
Fitting Dimensions (mm)	Discharge Tube(ID)		12.87-12.97					
	Suction Tube(ID)		22.35-22.45					
Product Dimensions (mm)	Length (L)		239					
	Width (W)		239					
	Height (H)		418					
	Feet Dimensions (Hole)		190.5x190.5(8.8)					
Oil Type	PAG							
Initial Charge Volume (L)	1.4			1.6				
Recharge Volume (L)	1.25			1.45				
Max Pressure (MPa)	High Side		2.1					
	Low Side		1.7					
Weight (kg)	29	30	30	31	31	31	33	38

E.T. -6.7°C, C.T. 48.9°C, R.G. 4.4°C, No Subcooling

## Specifications R454C

Model	YM34U1G -100	YM43U1G -100	YM49U1G -100	YM60U1G -100	YM70U1G -100	YM86U1G -100	YM102U1G -100	YM115U1G -100
Electricity	380-420V/3~/50Hz							
Power in Horse Power (HP)	2	2.5	3	3.5	4	5	6	7
Displacement (cc/rev)	33.3	42	46.6	58	67.8	83.3	98.3	108
Refrigerant	R454C							
Cooling Capacity (W)	3203	4016	4437	5584	6524	7880	9300	10220
Power in Watt (W)	1573	1930	2094	2570	2924	3530	4110	4520
COP (W/W)	2.04	2.08	2.12	2.17	2.23	2.23	2.26	2.26
Running Current (A)	3	3.9	4.5	5.4	6.2	7.4	8.2	8.9
LRA (A)	22	45	45	60	60	60	65	85
MOC (A)	4.1	5	5.6	6.7	7.6	9.2	10.7	11.8
Crankcase Heater (W)	70							
Fitting Dimensions (mm)	Discharge Tube(ID)		12.87-12.97					
	Suction Tube(ID)		22.35-22.45					
Product Dimensions (mm)	Length (L)		239					
	Width (W)		239					
	Height (H)		418			463		
	Feet Dimensions (Hole)		190.5x190.5(8.8)					
Oil Type	POE							
Initial Charge Volume (L)	1.4			1.6				
Recharge Volume (L)	1.25			1.45				
Max Pressure (MPa)	High Side		2.5					
	Low Side		1.9					
Weight (kg)	29	30	30	31	31	31	33	38

E.T. -6.7°C, C.T. 48.9°C, R.G. 4.4°C, No Subcooling

## Specifications R455A

Model	YM34U1G -100	YM43U1G -100	YM49U1G -100	YM60U1G -100	YM70U1G -100	YM86U1G -100	YM102U1G -100	YM115U1G -100
Electricity	380-420V/3~/50Hz							
Power in Horse Power (HP)	2	2.5	3	3.5	4	5	6	7
Displacement (cc/rev)	33.3	42	46.6	58	67.8	83.3	98.3	108
Refrigerant	R455A							
Cooling Capacity (W)	3421	4351	4795	5985	7032	8641	10190	11071
Power in Watt (W)	1698	2128	2298	2794	3186	3803	4430	4825
COP (W/W)	2.01	2.05	2.09	2.14	2.2	2.27	2.3	2.3
Running Current (A)	3.3	4.1	4.5	5.4	6.2	7.4	8.6	9.4
LRA (A)	22	45	45	60	60	60	65	85
MOC (A)	4.4	5.6	6.0	7.3	8.3	9.9	11.6	12.6
Crankcase Heater (W)	70							
Fitting Dimensions (mm)	Discharge Tube(ID)		12.87-12.97					
	Suction Tube(ID)		22.35-22.45					
Product Dimensions (mm)	Length (L)		239					
	Width (W)		239					
	Height (H)		418			463		
	Feet Dimensions (Hole)		190.5x190.5(8.8)					
Oil Type	POE							
Initial Charge Volume (L)	1.4					1.6		
Recharge Volume (L)	1.25					1.45		
Max Pressure (MPa)	High Side		2.5					
	Low Side		1.9					
Weight (kg)	29	30	30	31	31	31	33	38

E.T. -6.7°C, C.T. 48.9°C, R.G. 4.4°C, No Subcooling

## Specifications R404A

Model	YM34E 2G-102	YM43E 2G-102	YM49E 2G-102	YM60E 2G-100	YM70E 2G-100	YM86E 2G-100	YM34E 1G-100	YM43E 1G-100	YM49E 1G-100	YM60E 1G-100	YM70E 1G-100	YM86E 1G-100		
Electricity	220V/1~/50Hz						380-420V/3~/50Hz							
Power in Horse Power (HP)	2	2.5	3	3.5	4	5	2	2.5	3	3.5	4	5		
Displacement (cc/rev)	33.3	42	46.6	58	67.8	83.3	33.3	42	46.6	58	67.8	83.3		
Refrigerant	R404A													
Cooling Capacity (W)	3560	4250	4840	6100	6920	8500	3560	4250	4840	6100	6920	8500		
Power in Watt (W)	2070	2361	2689	3220	3601	4427	2034	2297	2547	3220	3530	4250		
COP (W/W)	1.72	1.76	1.8	1.89	1.92	1.92	1.75	1.85	1.9	1.89	1.96	2		
Running Current (A)	9.4	11.2	12.7	14.6	16.9	21.2	3.5	4.8	5.1	6.5	7	8		
LRA (A)	76	76	76	109	109	140	22	45	45	60	60	60		
MOC (A)	16.2	17.2	19	24.5	28.1	33.4	5.2	6.4	6.9	8.5	10.3	12.2		
Crankcase Heater (W)	70													
Fitting Dimensions (mm)	Discharge Tube(ID)		12.87-12.97											
	Suction Tube(ID)		22.35-22.45											
Product Dimensions (mm)	Length (L)		239											
	Width (W)		239											
	Height (H)		418			463			418			463		
	Feet Dimensions (Hole)		190.5x190.5(8.8)											
Oil Type	POE													
Initial Charge Volume (L)	1.4						1.6							
Recharge Volume (L)	1.25						1.45							
Max Pressure (MPa)	High Side		3.2											
	Low Side		2											
Weight (kg)	31	31	31	33	33	38	29	30	30	31	31	32		

E.T. -6.7°C, C.T. 48.9°C, R.G. 4.4°C, No Subcooling

## Specifications R404A

Model	YM102E 1G-100	YM115E 1G-100	YMZ46 E1-100	YMZ83 E1-100	YMZ110 E1-100	YM125E 1G-100	YM132E 1G-100	YM158E 1G-100	YM182E 1G-100
Electricity	380-420V/3~/50Hz								
Power in Horse Power (HP)	6	7	3	5	7	7.5	8	9	10
Displacement (cc/rev)	98.3	108	46.6	83	108	115.5	123	145.4	167.2
Refrigerant	R404A								
Cooling Capacity (W)	10100	11328	4484	8200	11043	12240	12893	15842	17856
Power in Watt (W)	5050	5600	2487	4320	5768	6120	6447	7921	8928
COP (W/W)	2	2.02	1.80	1.90	1.91	2	2	2	2
Running Current (A)	9.4	11.2	5.1	7.9	10.8	11.8	12.1	13.6	15.5
LRA (A)	65	85	45	60	85	117	117	117	121
MOC (A)	14.3	17.1	6.9	13.1	17.1	17.3	18.4	21	23.6
Crankcase Heater (W)	70					90			
Fitting Dimensions (mm)	Discharge Tube(ID)		12.87-12.97			22.35-22.45			
	Suction Tube(ID)		22.35-22.45			28.83-28.93			
Product Dimensions (mm)	Length (L)		239		558.5	603.5	272		
	Width (W)		239		285		248		
	Height (H)		463		174		506.7		
	Feet Dimensions (Hole)		190.5×190.5(8.8)		220×280(8.8)		190.5×190.5(8.8)		
Oil Type	POE								
Initial Charge Volume (L)	1.6		1.4		1.6	2.7		3	
Recharge Volume (L)	1.45		1.25		1.45	2.55		2.85	
Max Pressure (MPa)	High Side		3.2						
	Low Side		2						
Weight (kg)	33	38	33	34	40	53	53	53	54

E.T. -6.7°C, C.T. 48.9°C, R.G. 4.4°C, No Subcooling

## Specifications R404A

Model	YM200E 1G-100	YM210E 1G-100	YM240E 1G-105	YM260E 1G-100	YM280E 1G-100	YM350E 1G-100	YM410E 1G-100
Electricity	380-420V/3~/50Hz						
Power in Horse Power (HP)	12	13	14	14	16	22	25
Displacement (cc/rev)	189.1	197.1	210	216.7	265.5	332.6	392
Refrigerant	R404A						
Cooling Capacity (W)	19536	20544	22600	23218	28300	33300	39200
Power in Watt (W)	9671	10170	11600	11900	14100	16650	19400
COP (W/W)	2.02	2.02	1.95	1.95	2.01	2	2.02
Running Current (A)	16.3	16.9	20.6	21.5	26.4	29.4	34.5
LRA (A)	121	121	148.5	148.5	216	205	266
MOC (A)	26.5	27.6	31	28.9	40.3	41	51
Crankcase Heater (W)	90			120			
Fitting Dimensions (mm)	Discharge Tube(ID)		22.35-22.45		28.80-28.90		
	Suction Tube(ID)		28.83-28.93		41.56-41.66		
Product Dimensions (mm)	Length (L)		272		350.9		
	Width (W)		248		326.2		
	Height (H)		506.7	556.7	611.2	676.7	
	Feet Dimensions (Hole)		190.5×190.5(8.8)		232×232(8.8)		
Oil Type	POE						
Initial Charge Volume (L)	3		3.7	4.2	5.5		
Recharge Volume (L)	2.85		3.5	4	5.3		
Max Pressure (MPa)	High Side		3.2				
	Low Side		2				
Weight (kg)	54	54	57	95	100	100	104

E.T. -6.7°C, C.T. 48.9°C, R.G. 4.4°C, No Subcooling

## Specifications R448A R449A

Model	YM34E 2G-102	YM43E 2G-102	YM49E 2G-102	YM60E 2G-100	YM70E 2G-100	YM86E 2G-100	YM34E 1G-100	YM43E 1G-100	YM49E 1G-100	YM60E 1G-100	YM70E 1G-100	YM86E 1G-100	YM102E 1G-100	YM115E 1G-100
Electricity	220V/1~/50Hz						380-420V/3~/50Hz							
Power in Horse Power (HP)	2	2.5	3	3.5	4	5	2	2.5	3	3.5	4	5	6	7
Displacement (cc/rev)	33.3	42	46.6	58	67.8	83.3	33.3	42	46.6	58	67.8	83.3	98.3	108
Refrigerant	R448A R449A													
Cooling Capacity (W)	3694	4410	5022	6329	7343	9020	3687	4401	5012	6317	7343	9020	10718	12021
Power in Watt (W)	1815	2166	2287	2954	3376	4150	1858	2098	2326	2941	3045	4100	4872	5464
COP (W/W)	2.04	2.04	2.2	2.14	2.18	2.17	1.98	2.1	2.15	2.15	2.16	2.2	2.2	2.2
Running Current (A)	8.3	9.9	10.5	13.6	15.5	19	3.7	4.1	4.6	5.8	6.3	7.6	9	10.1
LRA (A)	76	76	76	109	109	140	22	45	45	60	60	60	65	85
MOC (A)	13.8	16.5	17.4	22.5	27.2	33.5	5.4	6.1	6.8	8.6	10.4	12.5	14.9	15.8
Crankcase Heater (W)	70													
Fitting Dimensions (mm)	Discharge Tube(ID)		12.87-12.97											
	Suction Tube(ID)		22.35-22.45											
Product Dimensions (mm)	Length (L)		239											
	Width (W)		239											
	Height (H)		418				463		418				463	
	Feet Dimensions (Hole)		190.5x190.5(8.8)											
Oil Type	POE													
Initial Charge Volume (L)	1.4												1.6	
Recharge Volume (L)	1.25												1.45	
Max Pressure (MPa)	High Side		3.2											
	Low Side		2											
Weight (kg)	31	31	31	33	33	38	29	30	30	31	31	32	33	38

E.T. -6.7°C, C.T. 48.9°C, R.G. 4.4°C, No Subcooling

## Specifications R452A

Model	YM34E 2G-102	YM43E 2G-102	YM49E 2G-102	YM60E 2G-100	YM70E 2G-100	YM86E 2G-100	YM34E 1G-100	YM43E 1G-100	YM49E 1G-100	YM60E 1G-100	YM70E 1G-100	YM86E 1G-100	YM102E 1G-100	YM115E 1G-100
Electricity	220V/1~/50Hz						380-420V/3~/50Hz							
Power in Horse Power (HP)	2	2.5	3	3.5	4	5	2	2.5	3	3.5	4	5	6	7
Displacement (cc/rev)	33.3	42	46.6	58	67.8	83.3	33.3	42	46.6	58	67.8	83.3	98.3	108
Refrigerant	R452A													
Cooling Capacity (W)	3560	4250	4840	6100	6920	8500	3560	4250	4840	6100	6920	8500	10100	11328
Power in Watt (W)	1978	2361	2493	3220	3601	4427	2034	2297	2547	3220	3530	4250	5050	5100
COP (W/W)	1.8	1.76	1.94	1.89	1.92	1.92	1.75	1.85	1.9	1.89	1.96	2	2	2.22
Running Current (A)	9.4	11.2	11.5	14.6	16.9	21.2	3.5	4.8	5.1	6.5	7	8	9.4	11.2
LRA (A)	76	76	76	109	109	140	22	45	45	60	60	60	65	85
MOC (A)	16.2	17.2	19	24.5	28.1	33.4	5.2	6.4	6.9	8.5	10.3	12.2	14.3	17.1
Crankcase Heater (W)	70													
Fitting Dimensions (mm)	Discharge Tube(ID)		12.87-12.97											
	Suction Tube(ID)		22.35-22.45											
Product Dimensions (mm)	Length (L)		239											
	Width (W)		239											
	Height (H)		418				463		418				463	
	Feet Dimensions (Hole)		190.5x190.5(8.8)											
Oil Type	POE													
Initial Charge Volume (L)	1.4												1.6	
Recharge Volume (L)	1.25												1.45	
Max Pressure (MPa)	High Side		3.2											
	Low Side		2											
Weight (kg)	31	31	31	33	33	38	29	30	30	31	31	32	33	38

E.T. -6.7°C, C.T. 48.9°C, R.G. 4.4°C, No Subcooling

## Specifications Variable Speed R290

Model	YIM38P1-100	YIM42P1-100	YIM50P1-100	YIM60P1-100	YIM72P1-100
Power Input to Inverter Driver	380-420V/3~/50Hz or 60Hz				
Displacement (cc/rev)	38	42	50	60	72
Refrigerant	R290				
Cooling Capacity (W)	5532	6105	7250	8585	10302
Power in Watt (W)	2505	2764	3282	3887	4664
COP (W/W)	2.21	2.21	2.21	2.21	2.21
Running Current (A)	5.3	5.6	6.6	7.3	8.9
MOC (A)	11.4	11.8	14	15	17.2
Rated Motor Speed (RPM)	4500				
Running Speed (RPM)	1200-6000				
Crankcase Heater (W)	70				
Fitting Dimensions (mm)	Discharge Tube(ID)	12.87-12.97			
	Suction Tube(ID)	22.35-22.45			
Product Dimensions (mm)	Length (L)	239			
	Width (W)	239			
	Height (H)	419			
	Feet Dimensions (Hole)	190.5×190.5(8.8)			
Oil Type	PAG				
Initial Charge Volume (L)	1.4				
Recharge Volume (L)	1.25				
Max Pressure (MPa)	High Side	2.3			
	Low Side	1.7			
Weight (kg)	28	28	28	28	29.5

E.T. -6.7°C, C.T. 48.9°C, R.G. 4.4°C, No Subcooling @4500 RPM

Model	YIM38P1-100	YIM42P1-100	YIM50P1-100	YIM60P1-100	YIM72P1-100
Motor Speed (RPM)	1800				
Cooling Capacity (W)	2091	2308	2777	3288	3946
Power in Watt (W)	969	1070	1359	1609	1931
Motor Speed (RPM)	3600				
Cooling Capacity (W)	4426	4884	5800	6868	8242
Power in Watt (W)	2004	2211	2626	3110	3731
Motor Speed (RPM)	5400				
Cooling Capacity (W)	6622	7308	8686	10285	12342
Power in Watt (W)	3074	3391	3978	4711	5653
Motor Speed (RPM)	6000				
Cooling Capacity (W)	7363	8126	9635	11409	13691
Power in Watt (W)	3454	3812	4473	5298	6357

E.T. -6.7°C, C.T. 48.9°C, R.G. 4.4°C, No Subcooling @1800 RPM, 3600 RPM, 5400 RPM & 6000RPM

## Specifications Variable Speed R404A

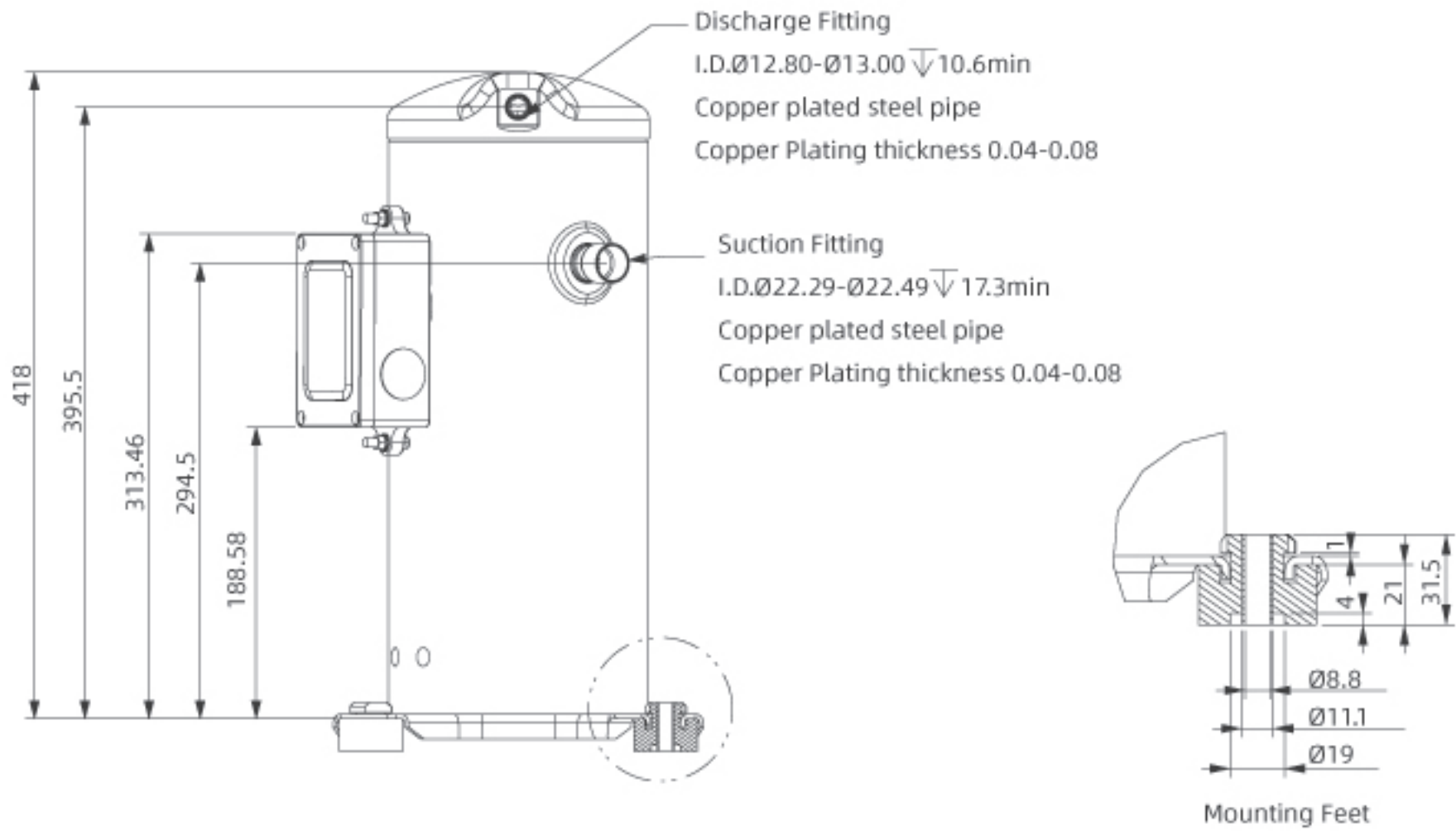
Model	YIM38E2G -100	YIM50E2G -100	YIM60E2G -100	YIM38E1G -100	YIM42E1G -100	YIM50E1G -100	YIM60E1G -100	YIM72E1G -100
Power Input to Inverter Driver	220V/1~/50Hz			380-420V/3~/50Hz or 60Hz				
Displacement (cc/rev)	38	50	60	38	42	50	60	72
Refrigerant	R404A							
Cooling Capacity (W)	6180	8254	9639	6240	6742	8480	9680	11500
Power in Watt (W)	3400	4410	5050	3375	3647	4300	4920	5910
COP (W/W)	1.82	1.87	1.91	1.85	1.85	1.97	1.97	1.95
Running Current (A)	5.3	18.3	21.7	5.3	5.8	7.2	8.5	11.2
MOC (A)	24.9	24.9	24.9	10	11	12.5	15	20
Rated Motor Speed (RPM)	4500							
Running Speed (RPM)	1800-5400							
Crankcase Heater (W)	70							
Fitting Dimensions (mm)	Discharge Tube(ID)			12.87-12.97				
	Suction Tube(ID)			22.35-22.45				
Product Dimensions (mm)	Length (L)			239				
	Width (W)			239				
	Height (H)			419				
	Feet Dimensions (Hole)			190.5×190.5(8.8)				
Oil Type	POE							
Initial Charge Volume (L)	1.4							
Recharge Volume (L)	1.25							
Max Pressure (MPa)	High Side			3.2				
	Low Side			2				
Weight (kg)	27	27	27	29.5	29.5	29.5	29.5	29.5

E.T. -6.7°C, C.T. 48.9°C, R.G. 4.4°C, No Subcooling @4500 RPM

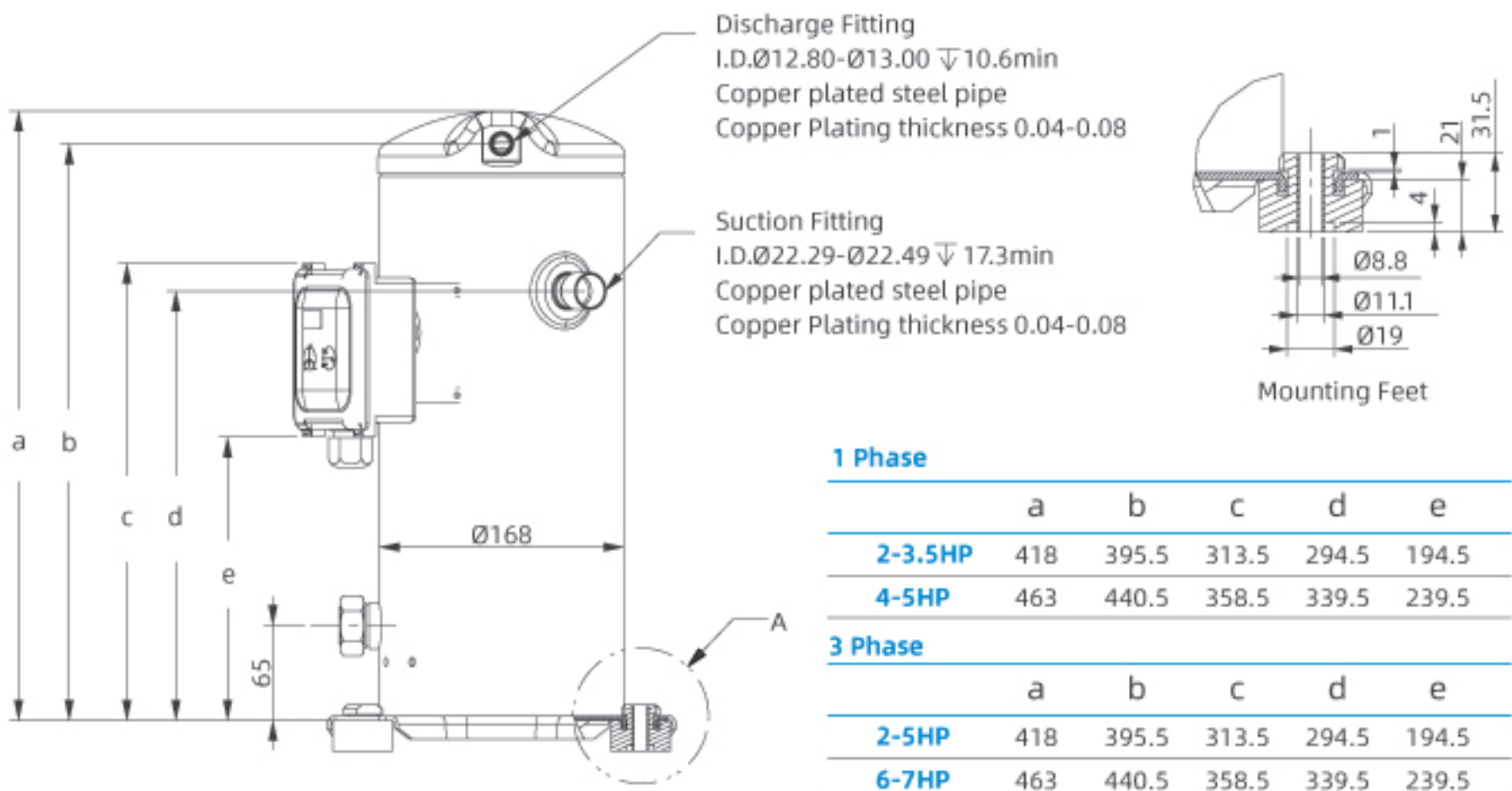
Model	YIM38E2G -100	YIM50E2G -100	YIM60E2G -100	YIM38E1G -100	YIM42E1G -100	YIM50E1G -100	YIM60E1G -100	YIM72E1G -100
Motor Speed (RPM)	1800							
Cooling Capacity (W)	2324	3145	3653	2346	2535	3231	3669	4485
Power in Watt (W)	1438	1821	2081	1428	1543	1776	2027	2494
Motor Speed (RPM)	3600							
Cooling Capacity (W)	4944	6603	7711	4992	5394	6784	7744	9200
Power in Watt (W)	2720	3528	4040	2700	2918	3440	3936	4728
Motor Speed (RPM)	5400							
Cooling Capacity (W)	7472	9872	11470	7544	8151	10142	11519	13651
Power in Watt (W)	4117	5389	6156	4087	4417	5255	5997	7163

E.T. -6.7°C, C.T. 48.9°C, R.G. 4.4°C, No Subcooling @1800 RPM, 3600 RPM & 5400 RPM

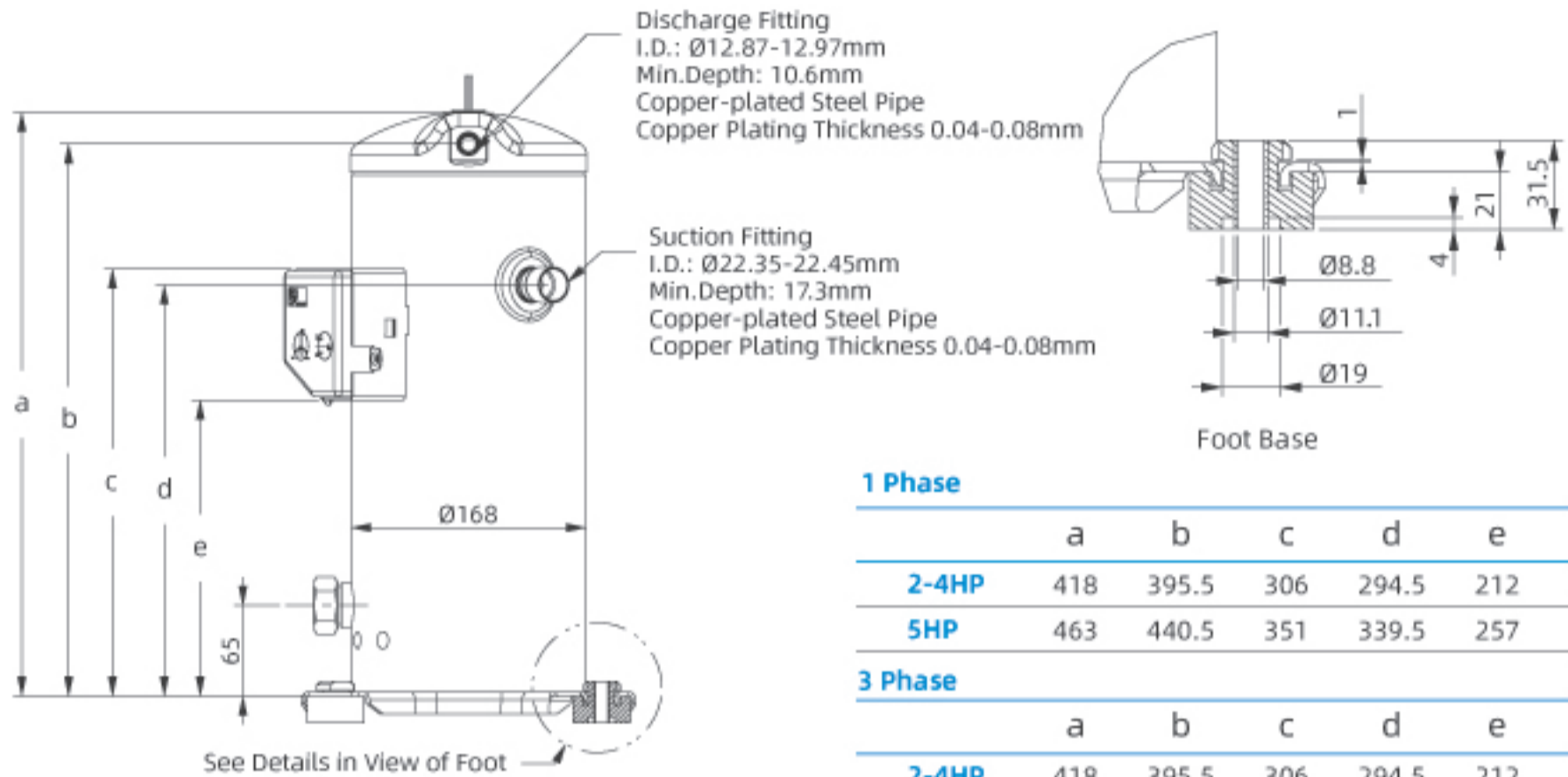
## Dimensions R290 2-7HP



## Dimensions R454C R455A 2-7HP



## Dimensions 2-7HP



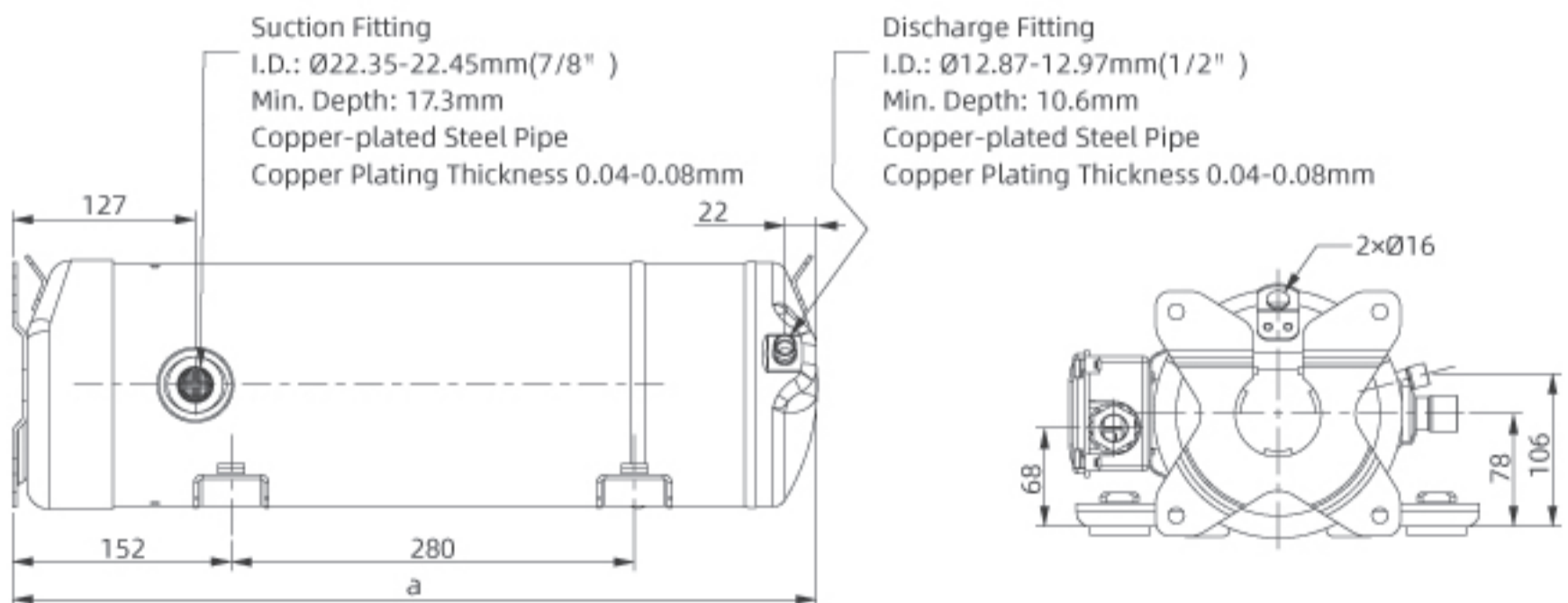
### 1 Phase

	a	b	c	d	e
<b>2-4HP</b>	418	395.5	306	294.5	212
<b>5HP</b>	463	440.5	351	339.5	257

### 3 Phase

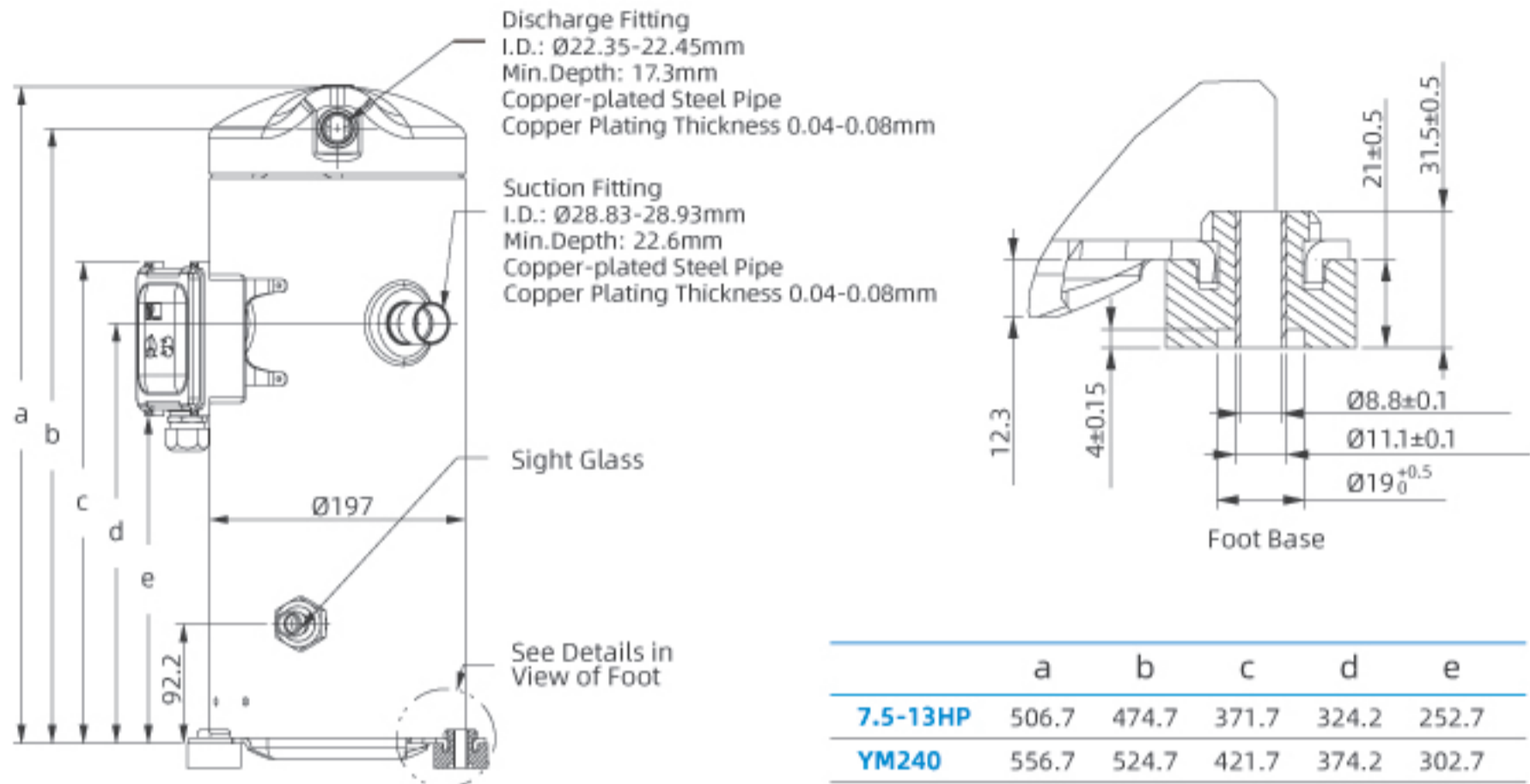
	a	b	c	d	e
<b>2-4HP</b>	418	395.5	306	294.5	212
<b>5-7HP</b>	463	440.5	351	339.5	257

## Dimensions Horizontal YMZ46-110

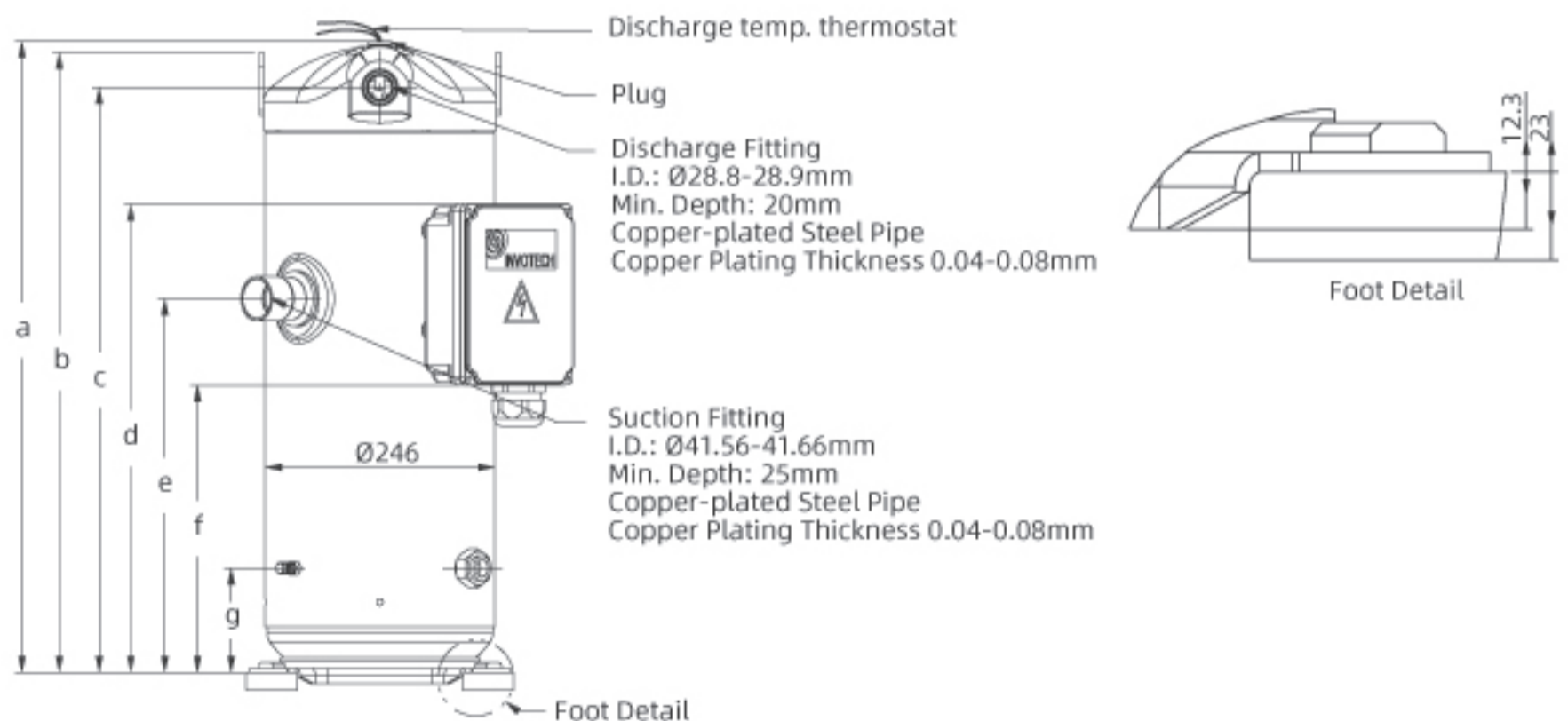


	a
<b>YMZ46/83</b>	558.5
<b>YMZ110</b>	603.5

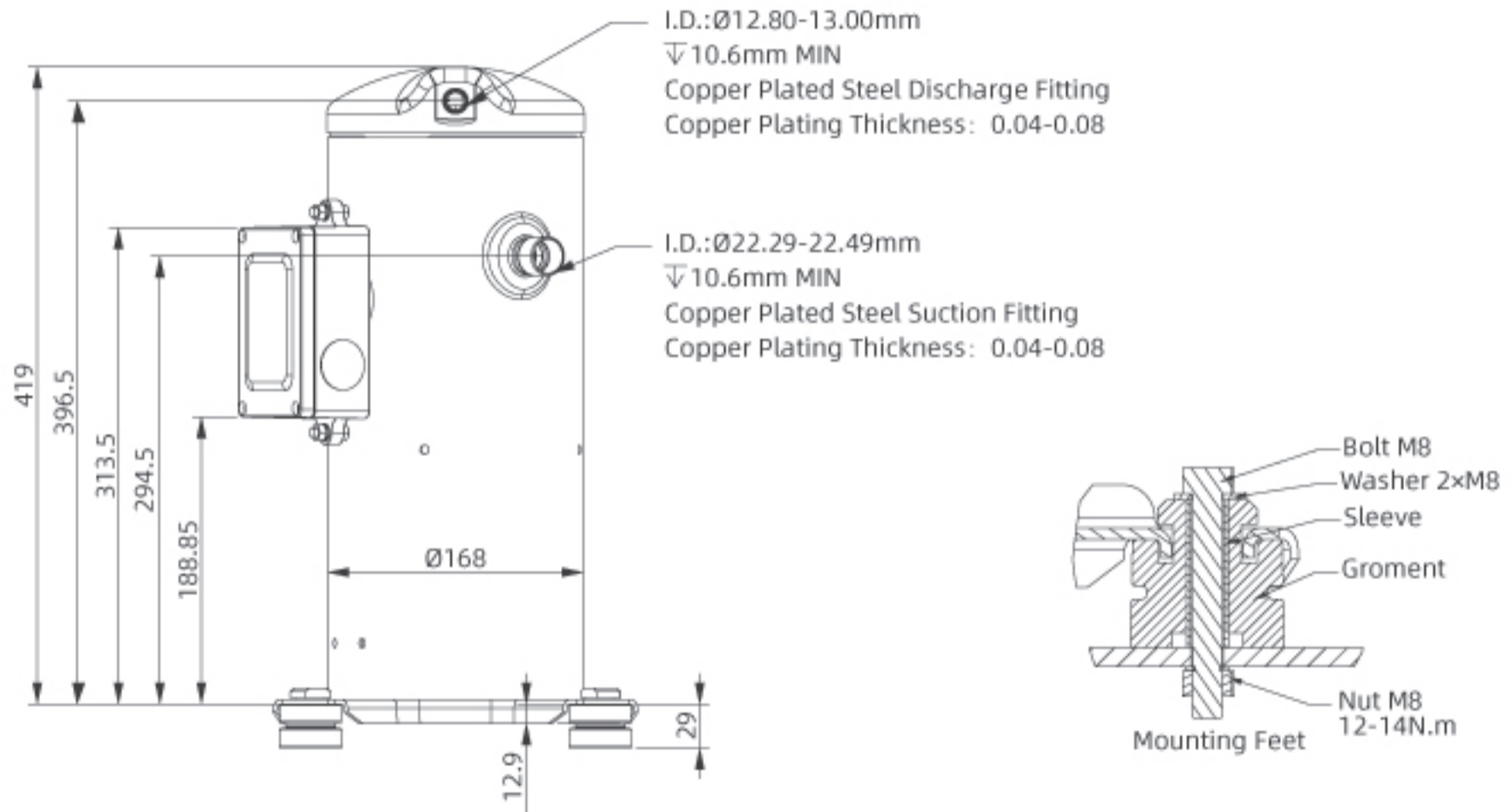
## Dimensions 7.5-14HP



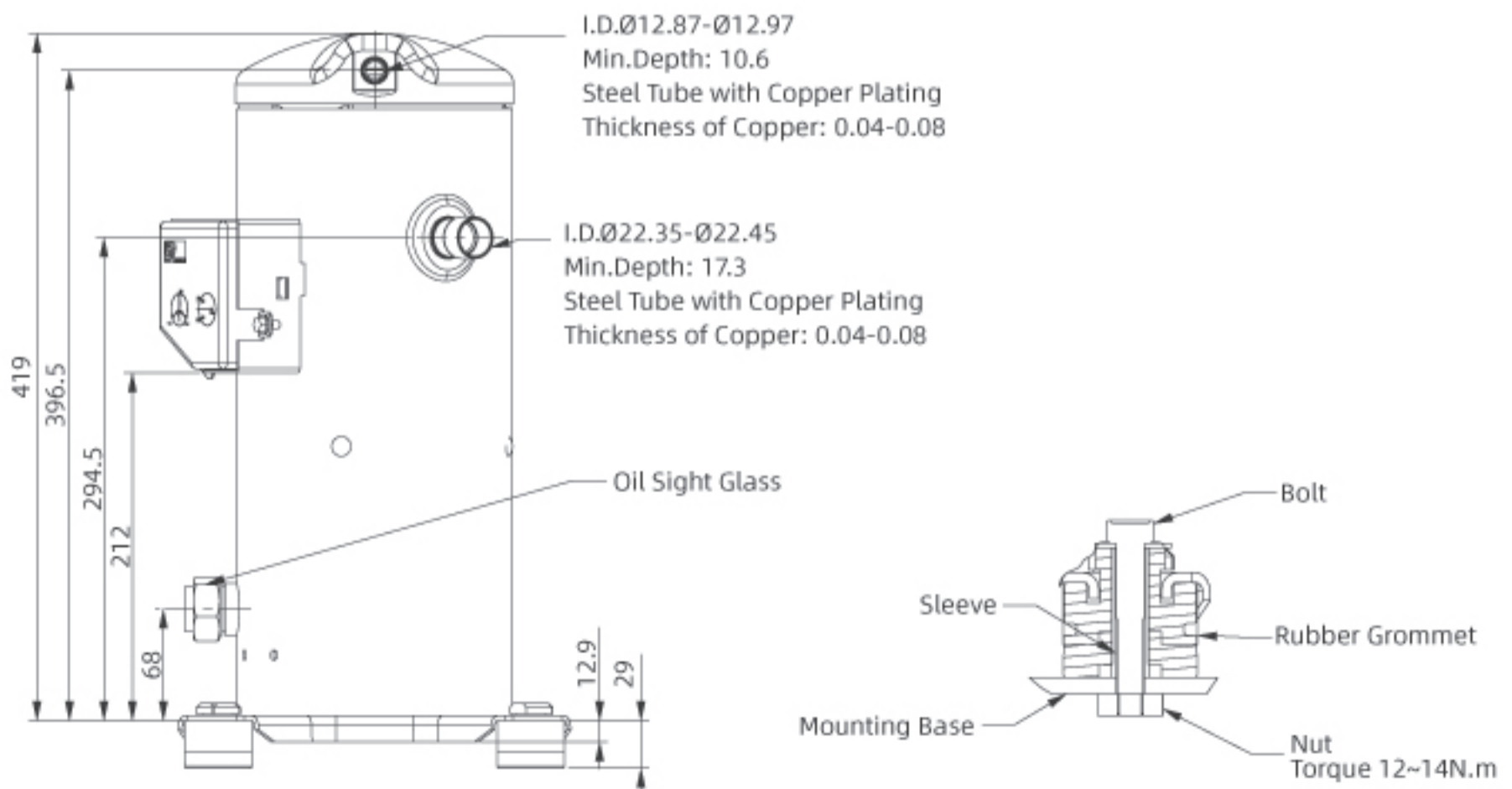
## Dimensions 15-25HP



## Dimensions Variable Speed R290 YIM38-72



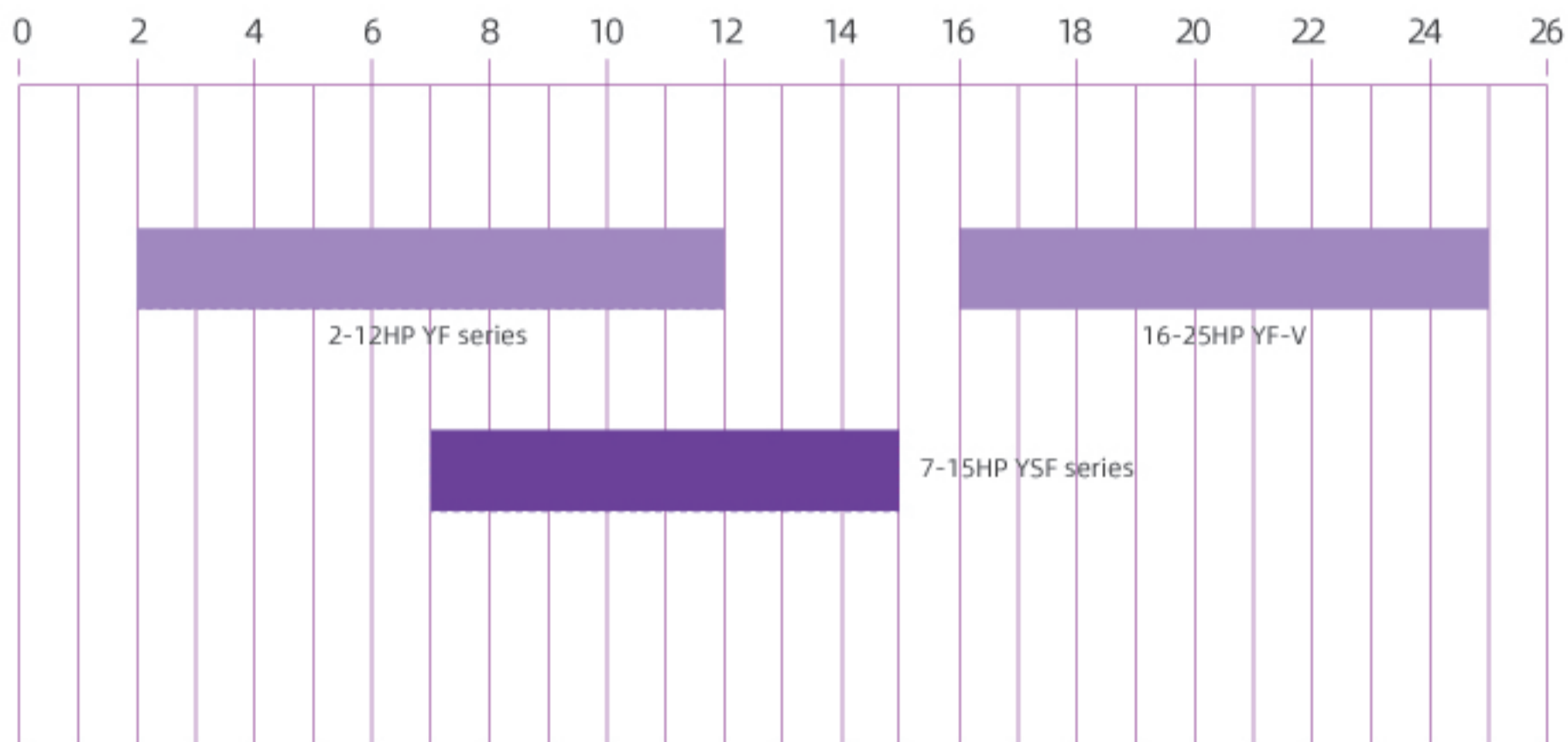
## Dimensions Variable Speed YIM38-72



A decorative graphic consisting of several overlapping, wavy, translucent purple bands that flow from the top left towards the bottom right, creating a sense of movement and depth.

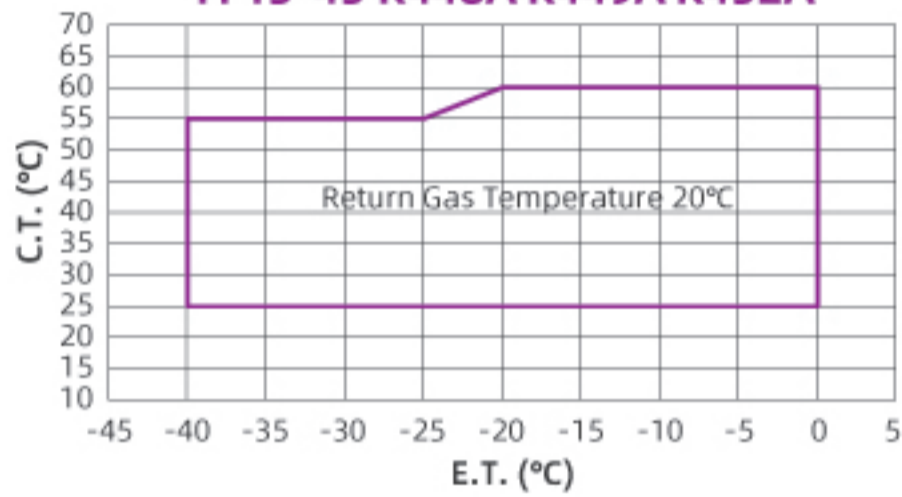
# **SCROLL COMPRESSORS FOR LOW TEMPERATURE REFRIGERATION**

## Product Line-up

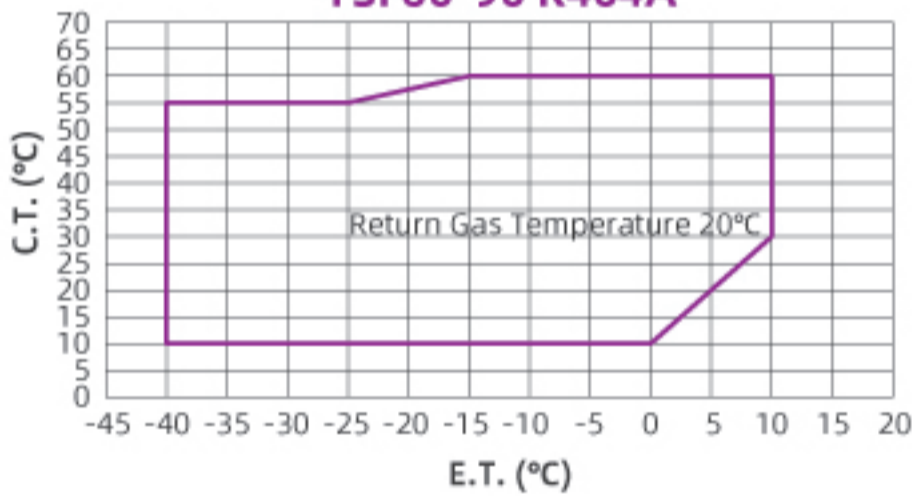


## Operating Envelope

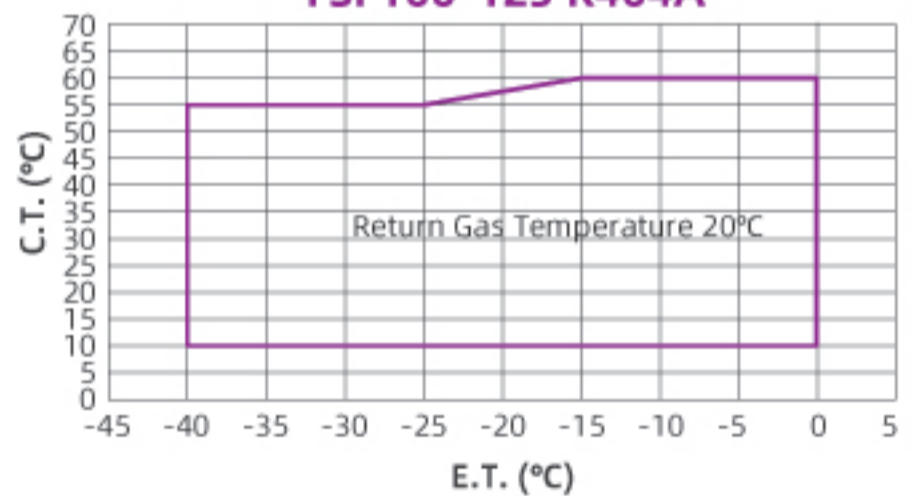
**YF13-80 R404A**  
**YF13-45 R448A R449A R452A**



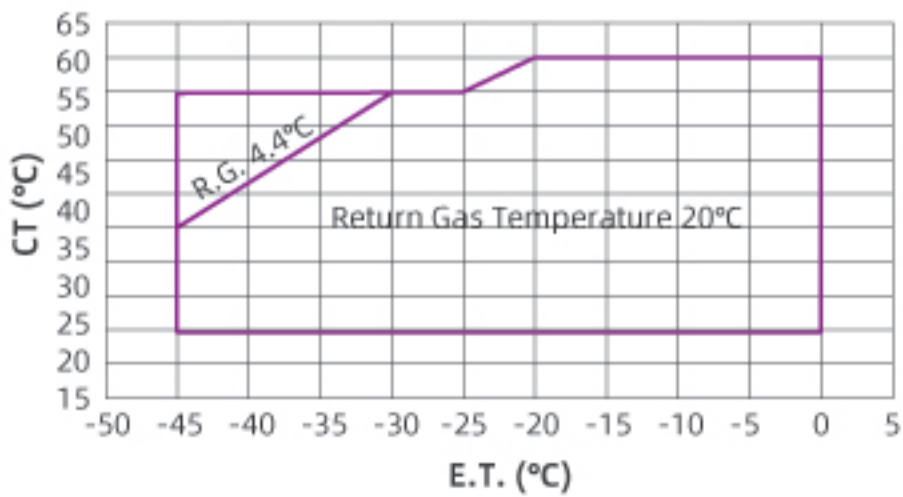
**YSF60-90 R404A**



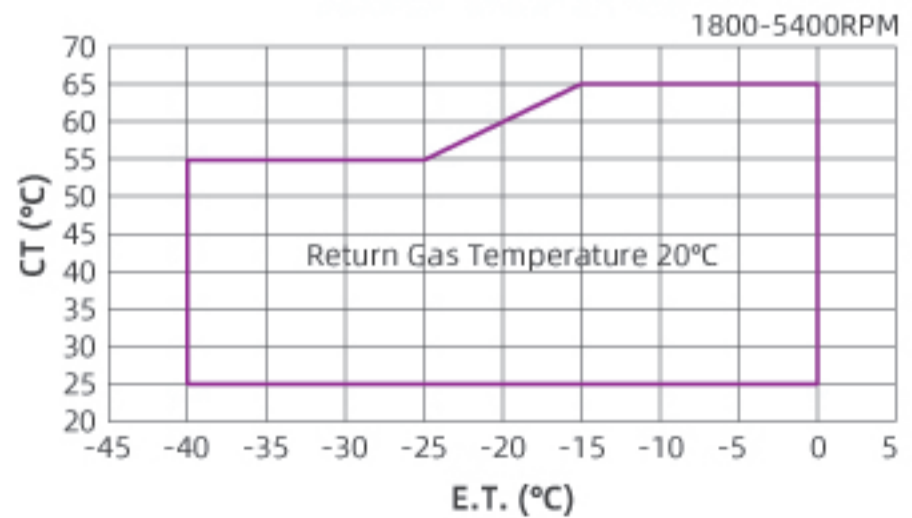
**YSF100-125 R404A**



**YF135-200 R404A**



**YIF38-72 R404A**



## Specifications R404A

Model	YF13E2G-Q102	YF17E2G-Q102	YF20E2G-Q102	YF25E2G-Q100	YF29E2G-Q100	YF35E2G-Q100	YF13E1G-Q100	YF17E1G-Q100	YF20E1G-Q100	YF25E1G-Q100	YF29E1G-Q100
Electricity	220V/1~/50Hz						380-420V/3~/50Hz				
Power in Horse Power (HP)	2	2.5	3	3.5	4	5	2	2.5	3	3.5	4
Displacement (cc/rev)	33.3	42	46.6	58	67.8	83.3	33.3	42	46.6	58	67.8
Refrigerant	R404A										
Cooling Capacity (W)	1386	1770	2079	2695	3145	3731	1386	1770	2079	2695	3145
Power in Watt (W)	1247	1599	1866	2324	2569	3004	1237	1567	1823	2324	2516
COP (W/W)	1.1	1.11	1.11	1.16	1.22	1.24	1.12	1.13	1.14	1.16	1.25
Running Current (A)	6.1	7.8	9.1	10.5	11.9	14.4	2.5	2.9	4.5	5	5.3
LRA (A)	76	76	76	109	109	140	22	22	45	60	60
MOC (A)	13.4	14.2	16.2	20	23.3	26.2	3.8	4.4	5.8	7.5	8.8
Crankcase Heater (W)	70										
Fitting Dimensions (mm)	Discharge Tube(ID)		12.87-12.97								
	Suction Tube(ID)		22.35-22.45								
Product Dimensions (mm)	Length (L)		239								
	Width (W)		239								
	Height (H)		418			463		418			
	Feet Dimensions (Hole)		190.5×190.5(8.8)								
Oil Type	POE										
Initial Charge Volume (L)	1.4										
Recharge Volume (L)	1.25										
Max Pressure (MPa)	High Side		3.2								
	Low Side		2								
Weight (kg)	31	31	31	33	33	38	29	29	30	31	31

E.T. -31.6°C, C.T. 40.6°C, R.G. 4.4°C, No Subcooling

## Specifications R404A

Model	YF35E1G-Q100	YF41E1G-Q100	YF45E1G-Q100	YF56E1G-Q100	YF65E1G-Q100	YF72E1G-Q100	YF80E1G-Q100	YF135E1G-V100	YF170E1G-V100	YF200E1G-V100
Electricity	380-420V/3~/50Hz									
Power in Horse Power (HP)	5	6	7	8	9	10	12	16	22	25
Displacement (cc/rev)	83.3	98.3	108	123	145.4	167.2	189.1	265.5	332.8	392
Refrigerant	R404A									
Cooling Capacity (W)	3731	4371	5083	5560	6751	7621	8657	18000	21430	25242
Power in Watt (W)	2889	3358	3704	4560	5193	5862	6614	10800	12309	14499
COP (W/W)	1.29	1.3	1.37	1.22	1.3	1.3	1.31	1.67	1.74	1.74
Running Current (A)	6.6	7	7.3	9.7	10.5	11	12.4	17.9	22.4	26.4
LRA (A)	60	65	85	85	117	117	121	216	266	266
MOC (A)	10.3	12.1	13.2	18	20.1	22.7	25.6	40.2	47.4	57
Crankcase Heater (W)	70			90				120		
Fitting Dimensions (mm)	Discharge Tube(ID)		12.87-12.97			22.35-22.45		28.80-28.90		
	Suction Tube(ID)		22.35-22.45			28.83-28.93		41.56-41.66		
Product Dimensions (mm)	Length (L)		239			272		359.8		
	Width (W)		239			248		326.2		
	Height (H)		463			507		671.2		
	Feet Dimensions (Hole)		190.5×190.5(8.8)					232×232(8.8)		
Oil Type	POE									
Initial Charge Volume (L)	1.6			2.7		3		6		
Recharge Volume (L)	1.45			2.55		2.85		5.8		
Max Pressure (MPa)	High Side		3.2					2.9		
	Low Side		2					0.6		
Weight (kg)	32	33	38	53	53	54	54	104	106	106

E.T. -31.6°C, C.T. 40.6°C, R.G. 4.4°C, No Subcooling

## Specifications Semi-hermetic R404A

Model	YSF60E1G-V100	YSF65E1G-V100	YSF75E1G-V100	YSF85E1G-V100	YSF90E1G-V100	YSF100E1G-V100	YSF125E1G-V100
Electricity	380-420V/3~/50Hz						
Power in Horse Power (HP)	7	8	9	10	12	13	15
Displacement (cc/rev)	115.5	123	145.4	167.2	189.1	197.1	243.7
Refrigerant	R404A						
Cooling Capacity (W)	6910	7360	8704	10010	11320	11800	13500
Power in Watt (W)	4369	4660	5440	6256	6988	7284	9507
COP (W/W)	1.58	1.58	1.6	1.6	1.62	1.62	1.42
Running Current (A)	9.5	10	10.8	11.9	12.9	13.3	18
LRA (A)	117	117	117	121	121	121	148.5
MOC (A)	17.9	19.1	22.3	25.7	28.8	27	33.4
Crankcase Heater (W)	75						
Fitting Dimensions (mm)	Discharge Tube(ID)	22.50-22.60					
	Suction Tube(ID)	28.65-28.75					35.20-35.30
Product Dimensions (mm)	Length (L)	488					
	Width (W)	361					
	Height (H)	574					581
	Feet Dimensions (Hole)	190.5×190.5(10.2)					
Oil Type	POE						
Initial Charge Volume (L)	3.4						
Recharge Volume (L)	3.25						
Max Pressure (MPa)	High Side	3.2					
	Low Side	2					
Weight (kg)	90	90	91	91	91	91	92

E.T. -31.6°C, C.T. 40.6°C, R.G. 4.4°C, No Subcooling

## Specifications R448A R449A

Model	YF13E2G-Q102	YF17E2G-Q102	YF20E2G-Q100	YF25E2G-Q100	YF29E2G-Q100	YF35E2G-Q100	YF13E1G-Q100
Electricity	220V/1~/50Hz						380-420V/3~/50Hz
Power in Horse Power (HP)	2	2.5	3	3.5	4	5	2
Displacement (cc/rev)	33.3	42	46.6	58	67.8	83.3	33.3
Refrigerant	R448A R449A						
Cooling Capacity (W)	1315	1679	1972	2556	2915	3458	1311
Power in Watt (W)	1211	1553	1812	2257	2395	2800	1220
COP (W/W)	1.09	1.08	1.09	1.13	1.22	1.24	1.07
Running Current (A)	5.6	7.2	8.4	10.5	11.1	13	2.6
LRA (A)	76	76	76	109	109	140	22
MOC (A)	10.8	13.9	16.2	20.2	23.9	27.9	4.4
Crankcase Heater (W)	70						
Fitting Dimensions (mm)	Discharge Tube(ID)	12.87-12.97					
	Suction Tube(ID)	22.35-22.45					
Product Dimensions (mm)	Length (L)	239					
	Width (W)	239					
	Height (H)	418				463	418
	Feet Dimensions (Hole)	190.5×190.5(8.8)					
Oil Type	POE						
Initial Charge Volume (L)	1.4						
Recharge Volume (L)	1.25						
Max Pressure (MPa)	High Side	3.2					
	Low Side	2					
Weight (kg)	31	31	31	33	33	38	29

E.T. -31.6°C, C.T. 40.6°C, R.G. 4.4°C, No Subcooling

## Specifications R448A R449A

Model		YF17E1G-Q100	YF20E1G-Q100	YF25E1G-Q100	YF29E1G-Q100	YF35E1G-Q100	YF41E1G-Q100	YF45E1G-Q100
Electricity		380-420V/3~/50Hz						
Power in Horse Power (HP)		2.5	3	3.5	4	5	6	7
Displacement (cc/rev)		42	46.6	58	67.8	83.3	98.3	108
Refrigerant		R448A R449A						
Cooling Capacity (W)		1675	1967	2550	2915	3458	4051	4480
Power in Watt (W)		1546	1798	2292	2417	2775	3225	3475
COP (W/W)		1.08	1.09	1.11	1.21	1.25	1.26	1.29
Running Current (A)		3.4	3.9	4.6	5.2	5.8	6.4	7
LRA (A)		22	45	60	60	60	65	65
MOC (A)		5.6	6.5	8.3	9.2	10.6	11.8	12.6
Crankcase Heater (W)		70						
Fitting Dimensions (mm)	Discharge Tube(ID)	12.87-12.97						
	Suction Tube(ID)	22.35-22.45						
Product Dimensions (mm)	Length (L)	239						
	Width (W)	239						
	Height (H)	418				463		
	Feet Dimensions (Hole)	190.5x190.5(8.8)						
Oil Type		POE						
Initial Charge Volume (L)		1.4				1.6		
Recharge Volume (L)		1.25				1.45		
Max Pressure (MPa)	High Side	3.2						
	Low Side	2						
Weight (kg)		29	30	31	31	32	32	33

E.T. -31.6°C, C.T. 40.6°C, R.G. 4.4°C, No Subcooling

## Specifications R452A

Model		YF13E2G-Q102	YF17E2G-Q102	YF20E2G-Q100	YF25E2G-Q100	YF29E2G-Q100	YF35E2G-Q100	YF13E1G-Q100	
Electricity		220V/1~/50Hz						380-420V/3~/50Hz	
Power in Horse Power (HP)		2	2.5	3	3.5	4	5	2	
Displacement (cc/rev)		33.3	42	46.6	58	67.8	83.3	33.3	
Refrigerant		R452A							
Cooling Capacity (W)		1386	1770	2079	2695	3145	3731	1386	
Power in Watt (W)		1247	1599	1866	2324	2569	3004	1237	
COP (W/W)		1.1	1.11	1.11	1.16	1.22	1.24	1.12	
Running Current (A)		6.1	7.8	9.1	10.5	11.9	14.4	2.5	
LRA (A)		76	76	76	109	109	140	22	
MOC (A)		13.4	14.2	16.2	20	23.3	26.2	3.8	
Crankcase Heater (W)		70							
Fitting Dimensions (mm)	Discharge Tube(ID)	12.87-12.97							
	Suction Tube(ID)	22.35-22.45							
Product Dimensions (mm)	Length (L)	239							
	Width (W)	239							
	Height (H)	418				463		418	
	Feet Dimensions (Hole)	190.5x190.5(8.8)							
Oil Type		POE							
Initial Charge Volume (L)		1.4							
Recharge Volume (L)		1.25							
Max Pressure (MPa)	High Side	3.2							
	Low Side	2							
Weight (kg)		31	31	31	33	33	38	29	

E.T. -31.6°C, C.T. 40.6°C, R.G. 4.4°C, No Subcooling

## Specifications R452A

Model		YF17E1G-Q100	YF20E1G-Q100	YF25E1G-Q100	YF29E1G-Q100	YF35E1G-Q100	YF41E1G-Q100	YF45E1G-Q100	
Electricity		380-420V/3~/50Hz							
Power in Horse Power (HP)		2.5	3	3.5	4	5	6	7	
Displacement (cc/rev)		42	46.6	58	67.8	83.3	98.3	108	
Refrigerant		R452A							
Cooling Capacity (W)		1770	2079	2695	3145	3731	4371	5083	
Power in Watt (W)		1567	1823	2324	2516	2889	3358	3704	
COP (W/W)		1.13	1.14	1.16	1.25	1.29	1.3	1.37	
Running Current (A)		2.9	4.5	5	5.3	6.6	7	7.3	
LRA (A)		22	45	60	60	60	65	85	
MOC (A)		4.4	5.8	7.5	8.8	10.3	12.1	13.2	
Crankcase Heater (W)		70							
Fitting Dimensions (mm)	Discharge Tube(ID)	12.87-12.97							
	Suction Tube(ID)	22.35-22.45							
Product Dimensions (mm)	Length (L)	239							
	Width (W)	239							
	Height (H)	418				463			
	Feet Dimensions (Hole)	190.5x190.5(8.8)							
Oil Type		POE							
Initial Charge Volume (L)		1.4				1.6			
Recharge Volume (L)		1.25				1.45			
Max Pressure (MPa)	High Side	3.2							
	Low Side	2							
Weight (kg)		29	30	31	31	32	32	33	

E.T. -31.6°C, C.T. 40.6°C, R.G. 4.4°C, No Subcooling

## Specifications Variable Speed R404A

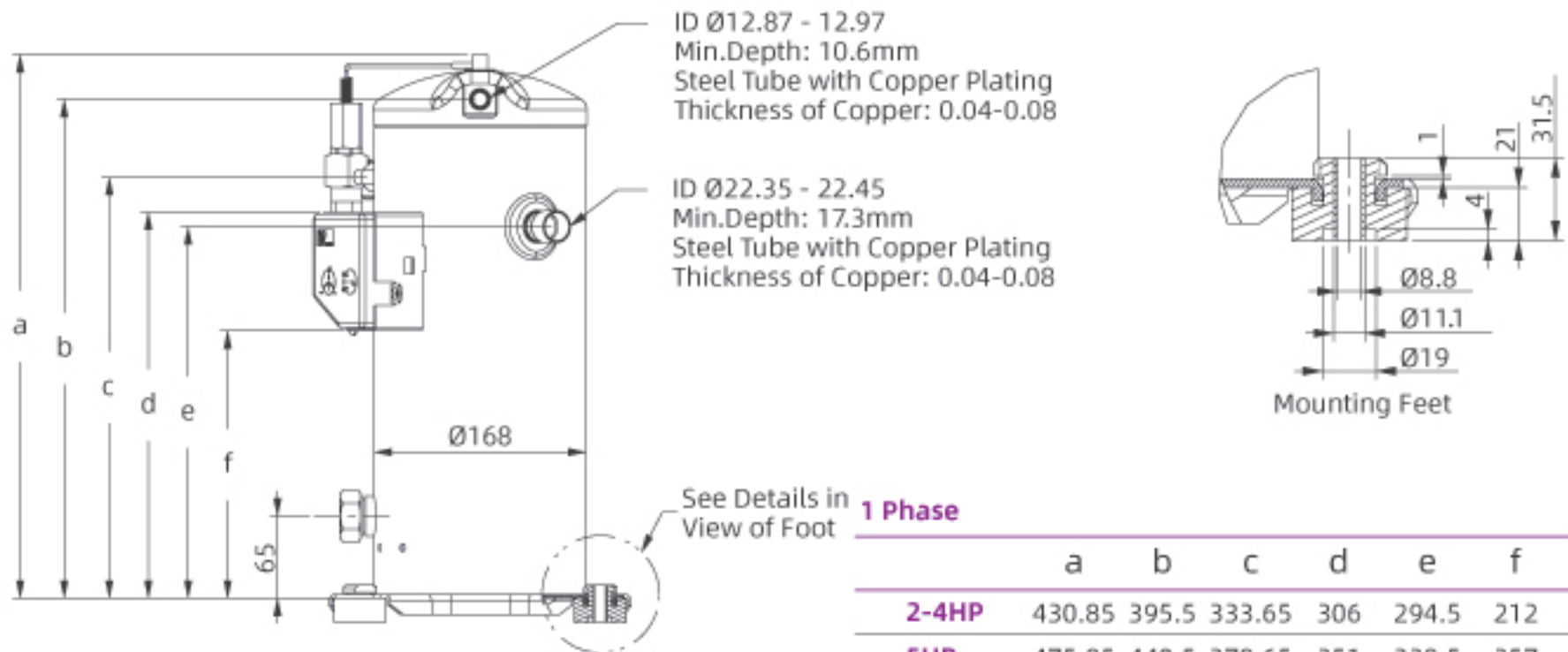
Model	YIF38E1G-Q100	YIF42E1G-Q100	YIF50E1G-Q100	YIF60E1G-Q100	YIF72E1G-Q100
Power Input to Inverter Driver	380-420V/3~/50Hz or 60Hz				
Displacement (cc/rev)	38	42	50	60	72
Refrigerant	R404A				
Cooling Capacity (W)	2616	2792	3488	4003	4813
Power in Watt (W)	2454	2533	3440	3955	4746
COP (W/W)	1.07	1.10	1.01	1.01	1.01
Running Current (A)	4.2	4.6	5.5	6.1	7.3
MOC (A)	8.7	9.6	11.5	13.7	16.5
Rated Motor Speed (RPM)	4500				
Running Speed (RPM)	1800-5400				
Crankcase Heater (W)	70				
Fitting Dimensions (mm)	Discharge Tube(ID)	12.87-12.97			
	Suction Tube(ID)	22.35-22.45			
Product Dimensions (mm)	Length (L)	239			
	Width (W)	239			
	Height (H)	419			
	Feet Dimensions (Hole)	190.5x190.5(8.8)			
Oil Type	POE				
Initial Charge Volume (L)	1.4				
Recharge Volume (L)	1.25				
Max Pressure (MPa)	High Side	3.2			
	Low Side	2			
Weight (kg)	29.0	29.0	29.0	29.0	31.0

E.T. -31.6°C, C.T. 40.6°C, R.G. 4.4°C, No Subcooling @4500 RPM

Model	YIF38E1G-Q100	YIF42E1G-Q100	YIF50E1G-Q100	YIF60E1G-Q100	YIF72E1G-Q100
Motor Speed (RPM)	1800				
Cooling Capacity (W)	971	1036	1294	1485	1786
Power in Watt (W)	1134	1170	1589	1827	2193
Motor Speed (RPM)	3600				
Cooling Capacity (W)	2093	2234	2790	3202	3850
Power in Watt (W)	1963	2026	2752	3164	3797
Motor Speed (RPM)	5400				
Cooling Capacity (W)	3134	3345	4179	4796	5766
Power in Watt (W)	2908	3002	4076	4687	5624

E.T. -31.6°C, C.T. 40.6°C, R.G. 4.4°C, No Subcooling @1800 RPM, 3600 RPM & 5400 RPM

## Dimensions Liquid Injection 2-7HP



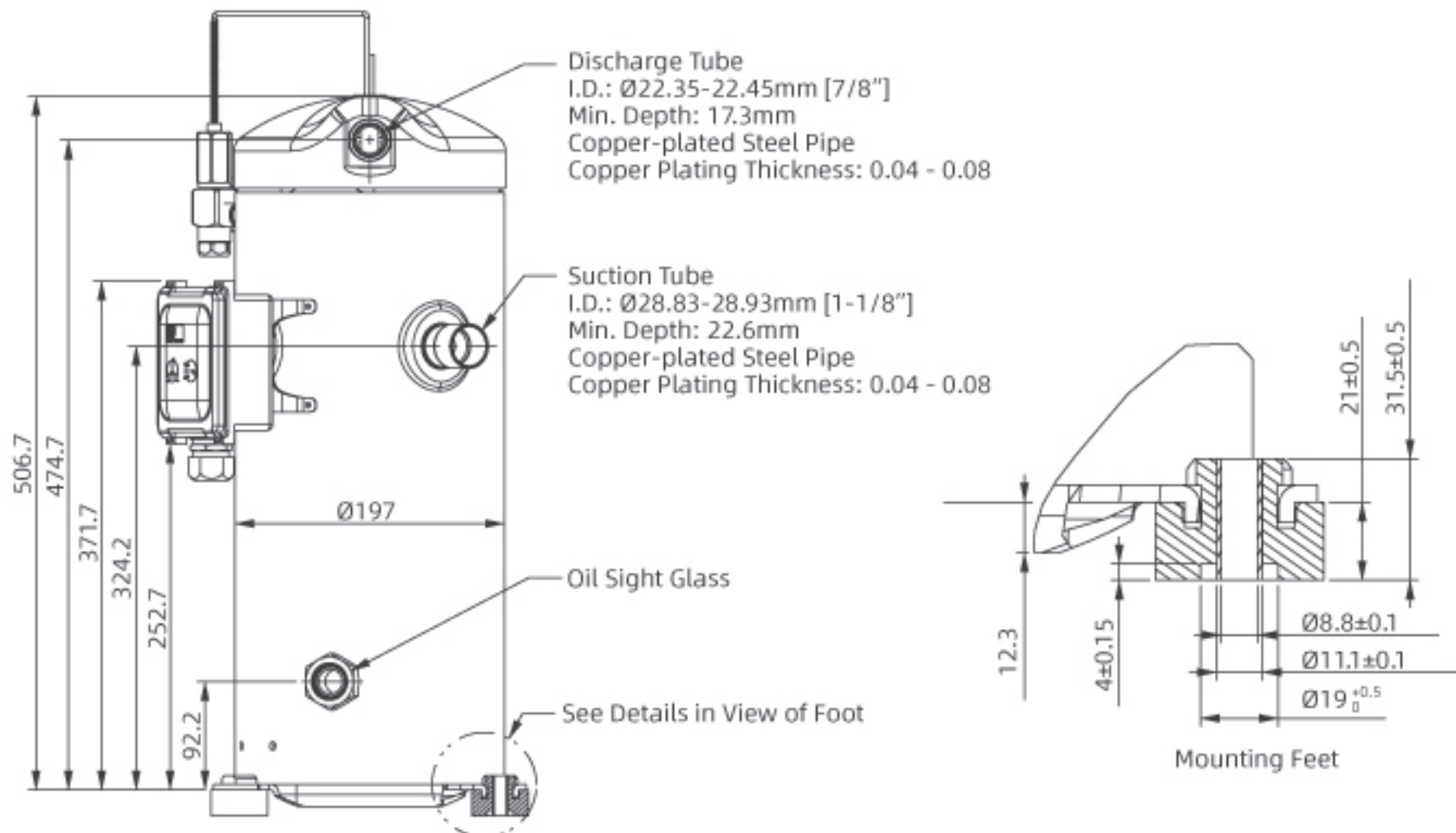
### 1 Phase

	a	b	c	d	e	f
<b>2-4HP</b>	430.85	395.5	333.65	306	294.5	212
<b>5HP</b>	475.85	440.5	378.65	351	339.5	257

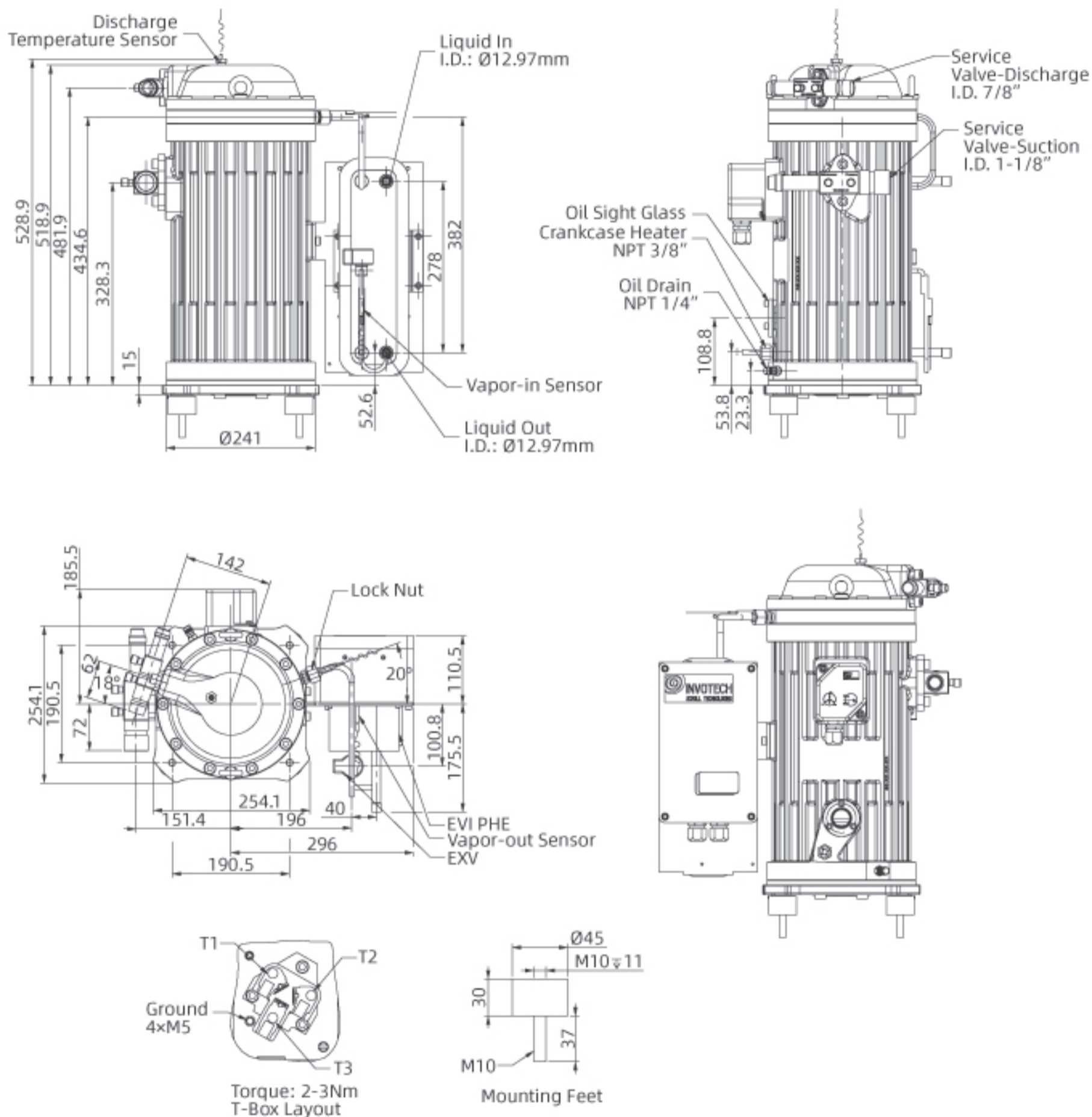
### 3 Phase

	a	b	c	d	e	f
<b>2-4HP</b>	430.85	395.5	333.65	306	294.5	212
<b>5-7HP</b>	475.85	440.5	378.65	351	339.5	257

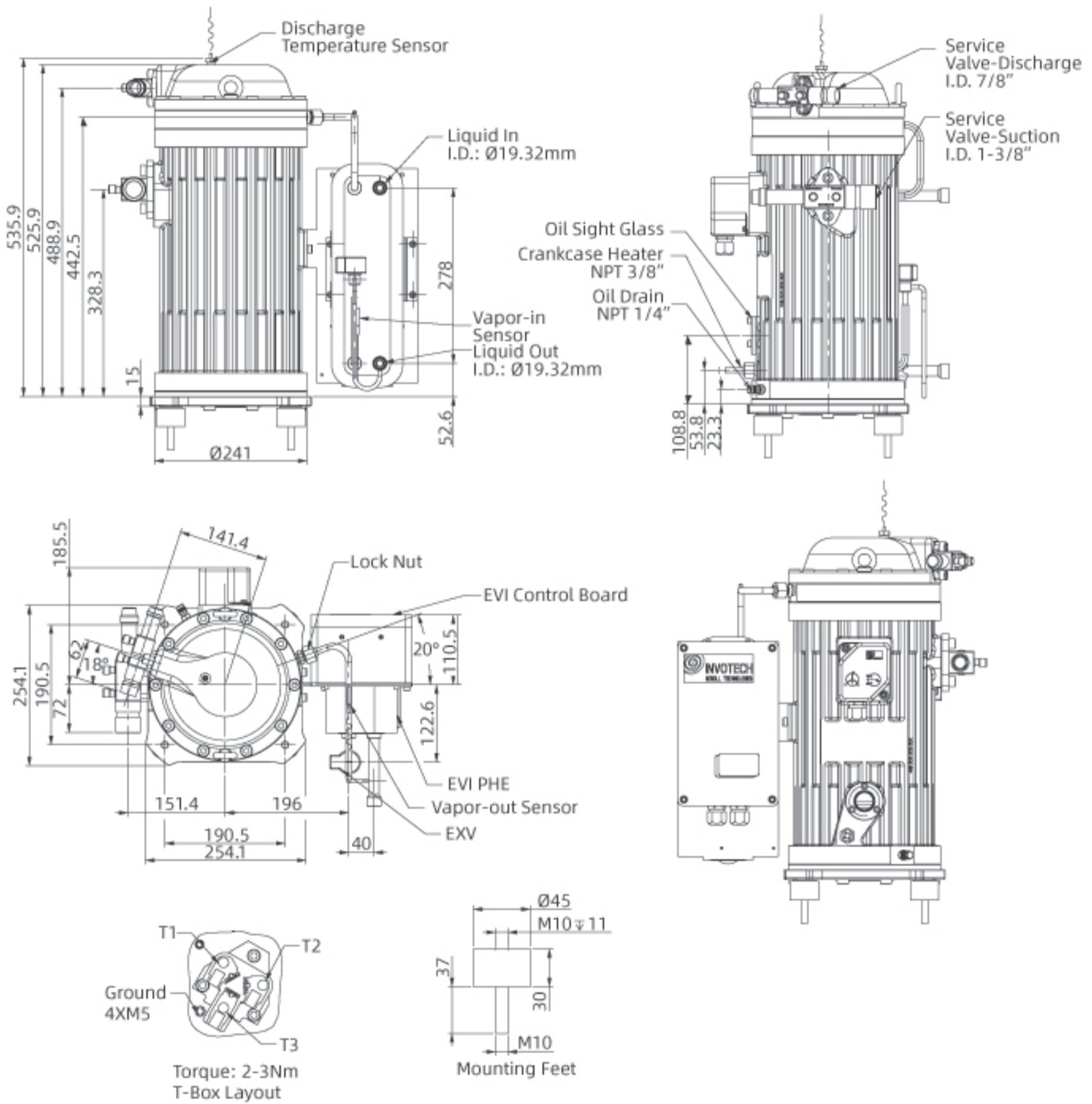
## Dimensions Liquid Injection 8-12HP



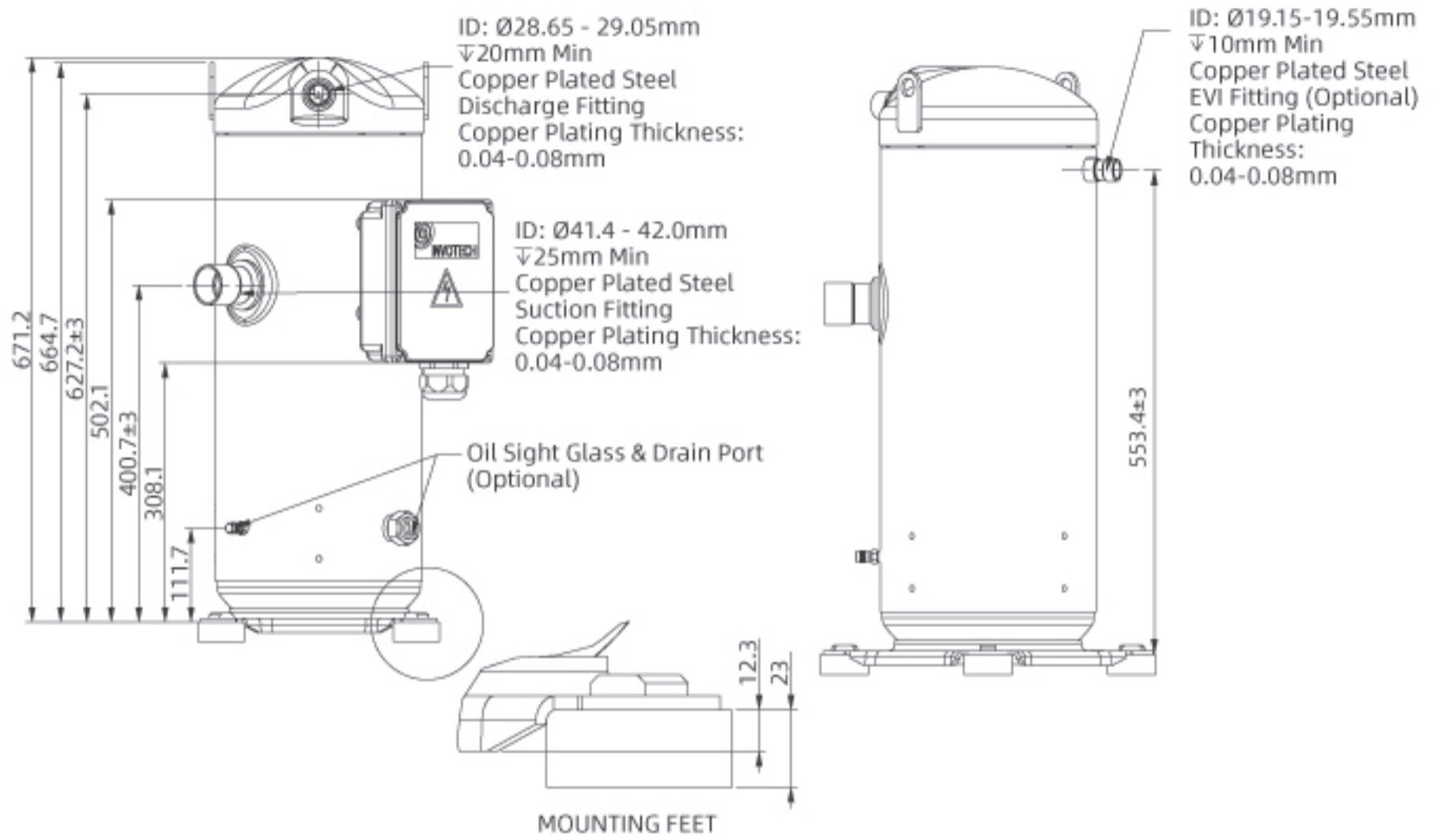
## Dimensions Vapor Injection YSF60-YSF100



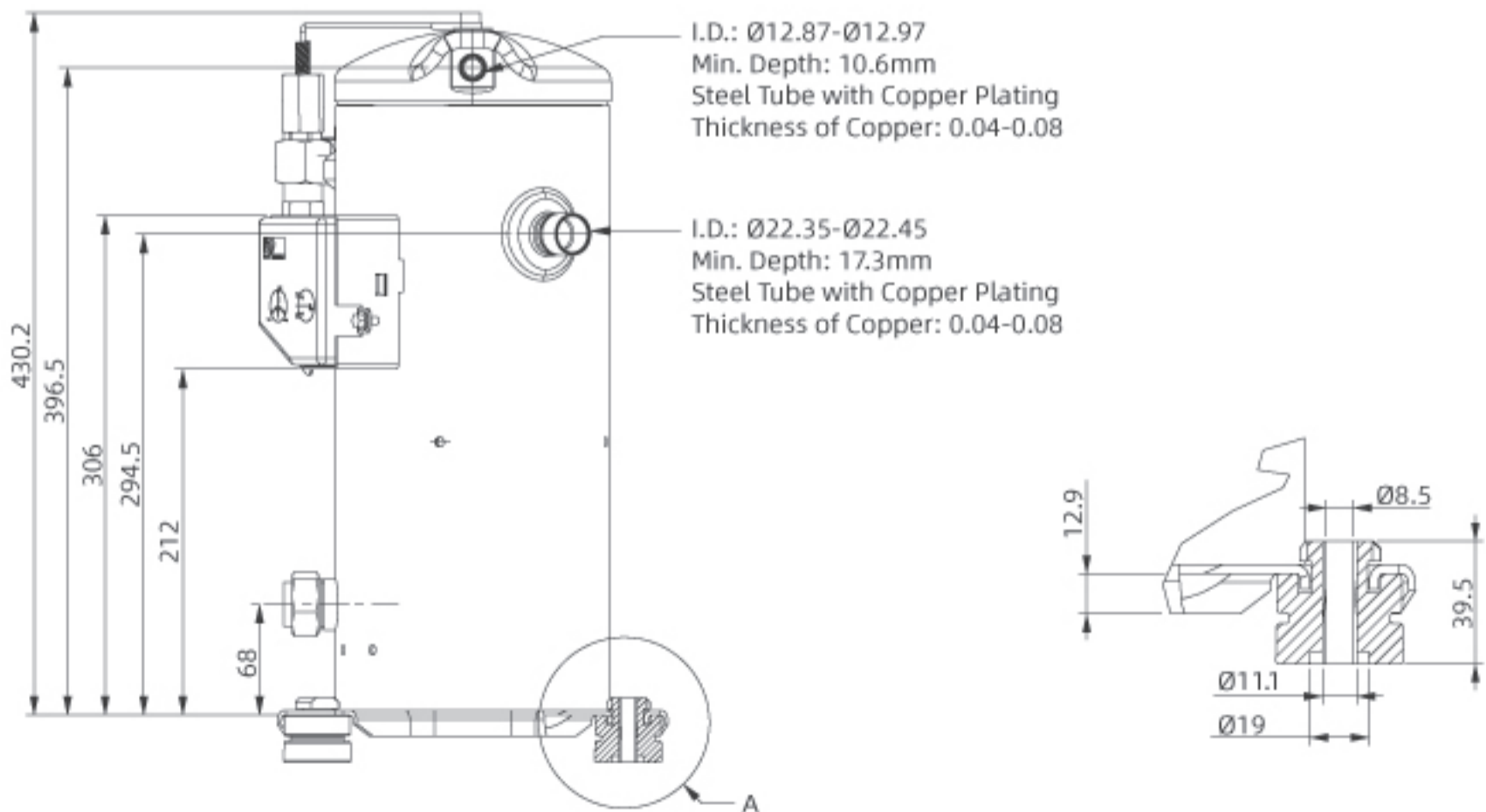
## Dimensions Vapor Injection YSF125



## Dimensions Vapor Injection 16-25HP



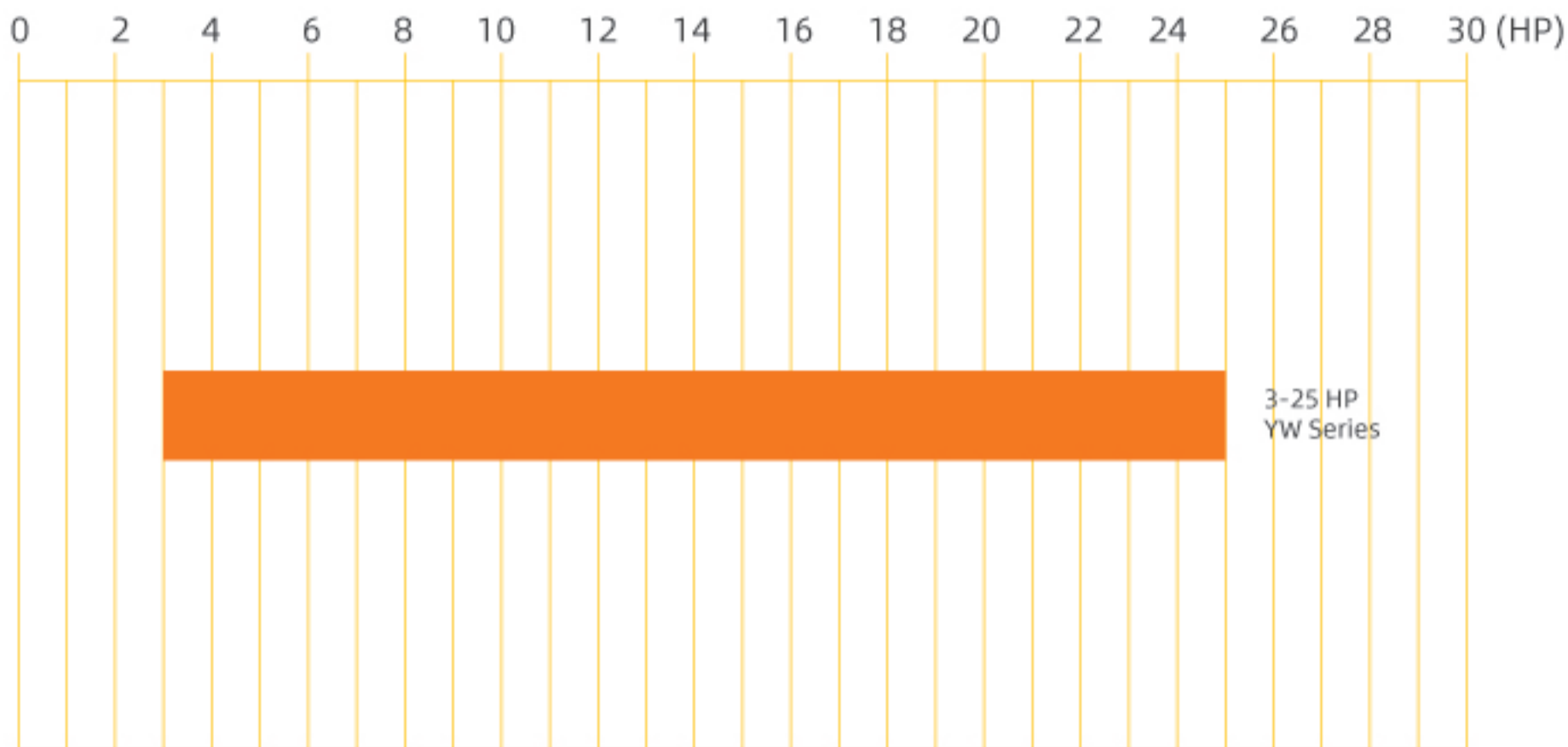
## Dimensions Variable Speed YIF38-72



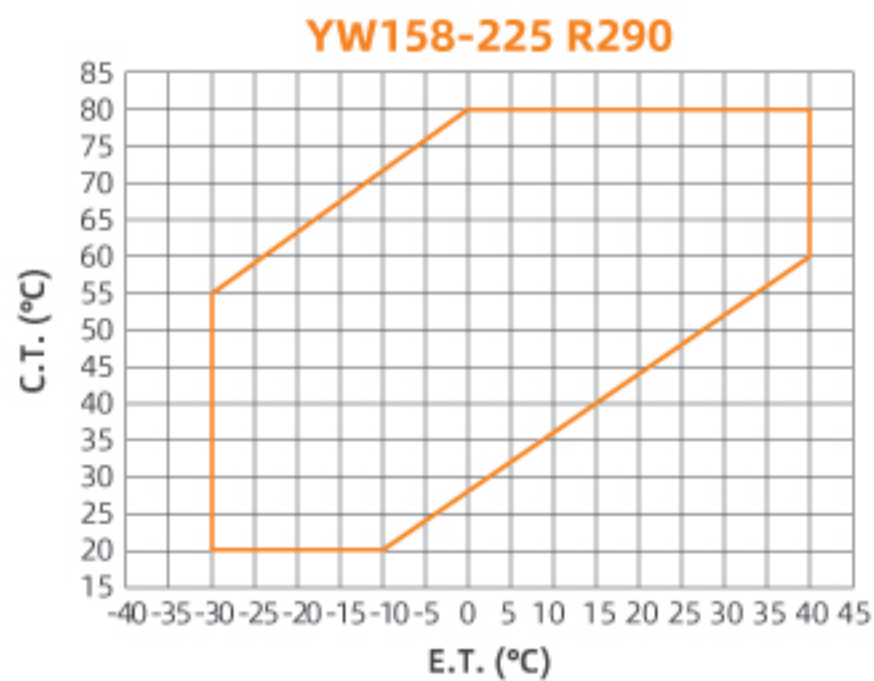
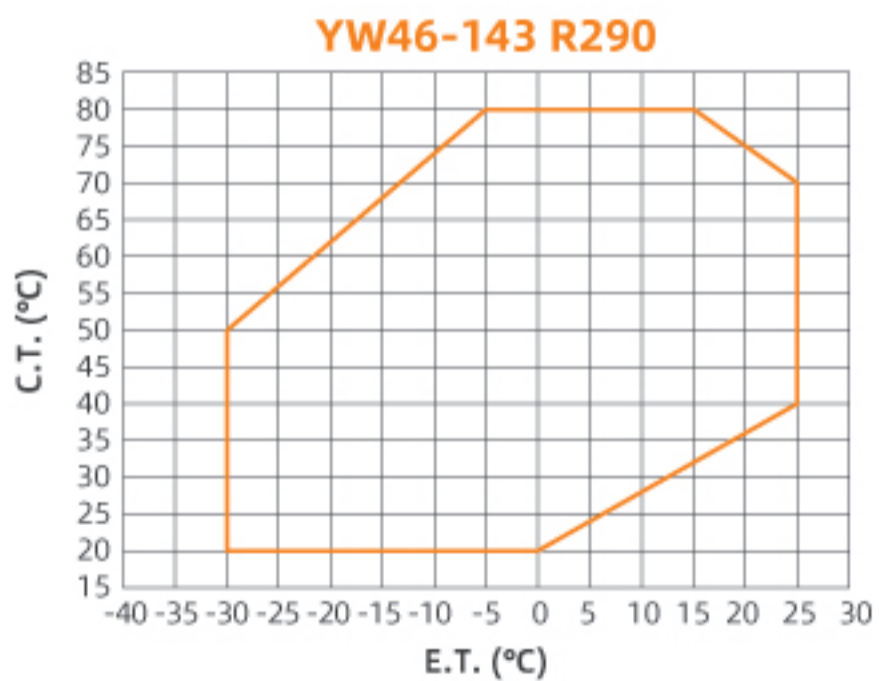
# **SCROLL COMPRESSORS FOR HEAT PUMPS**



## Product Line-up

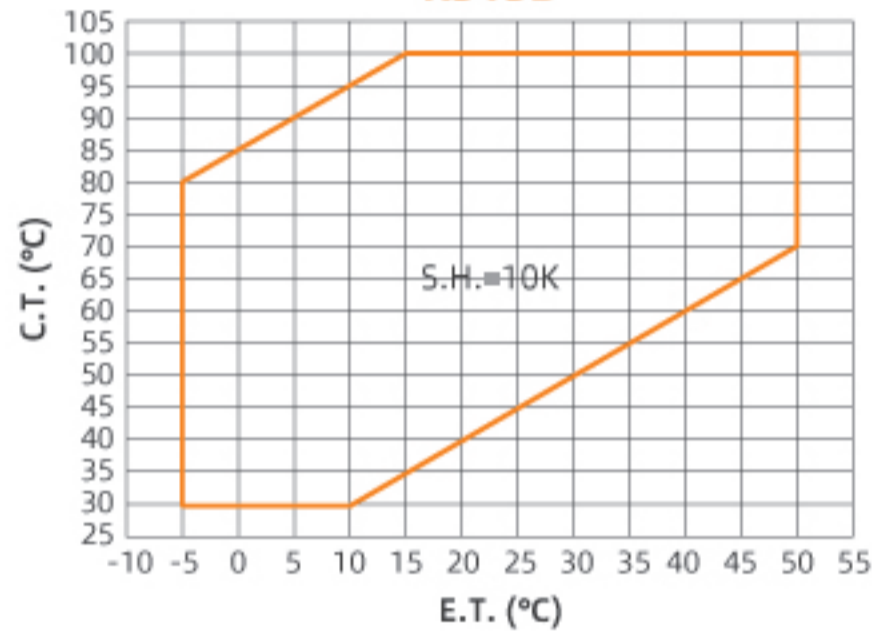


## Operating Envelope

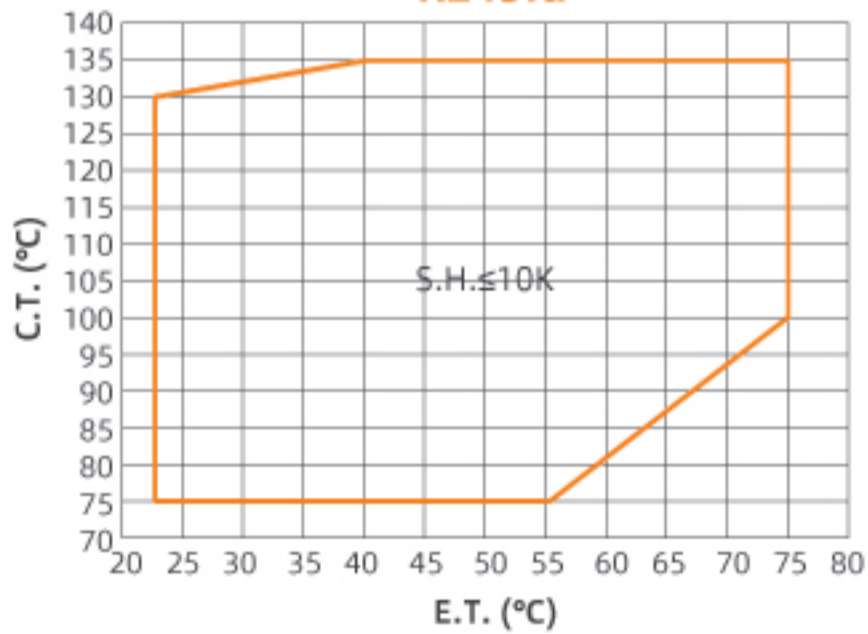


## Operating Envelope

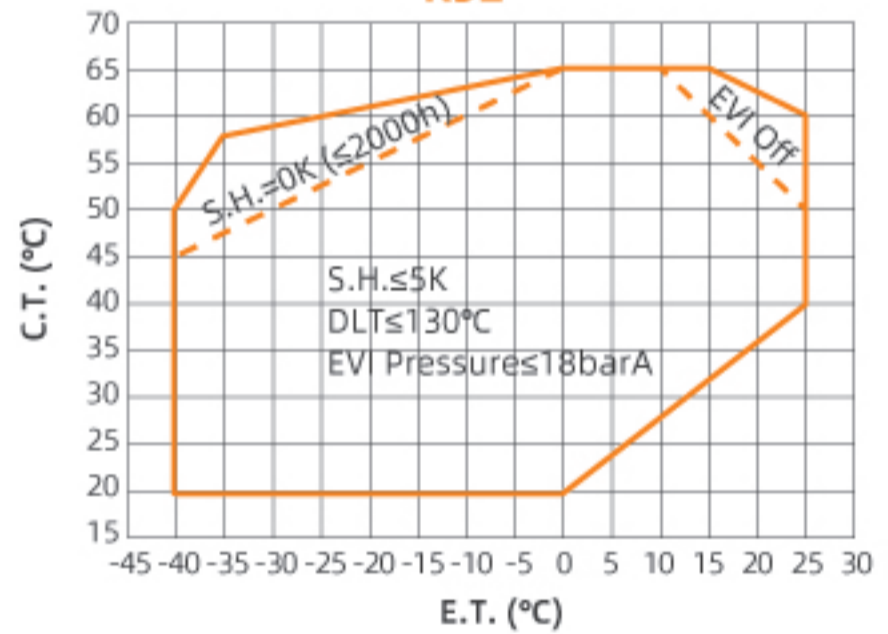
**R515B**



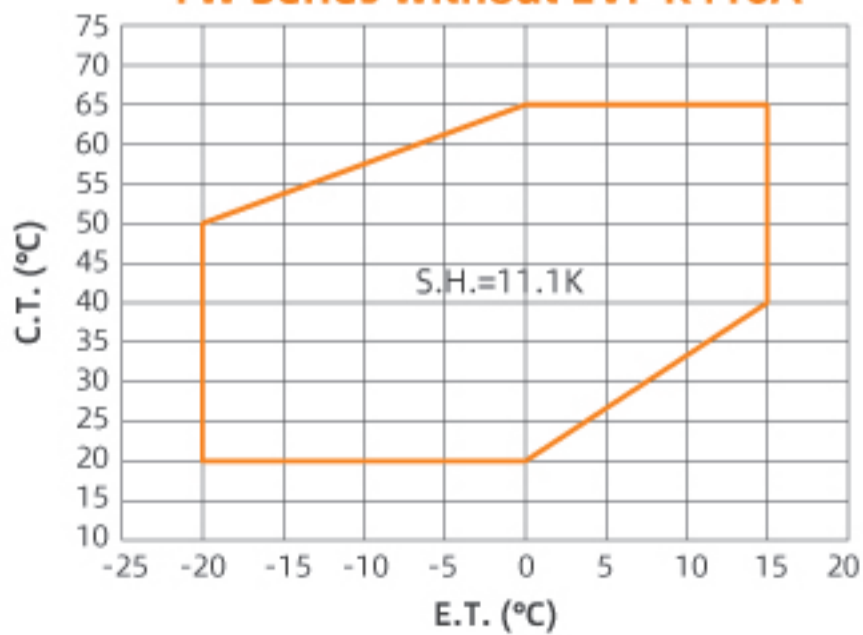
**R245fa**



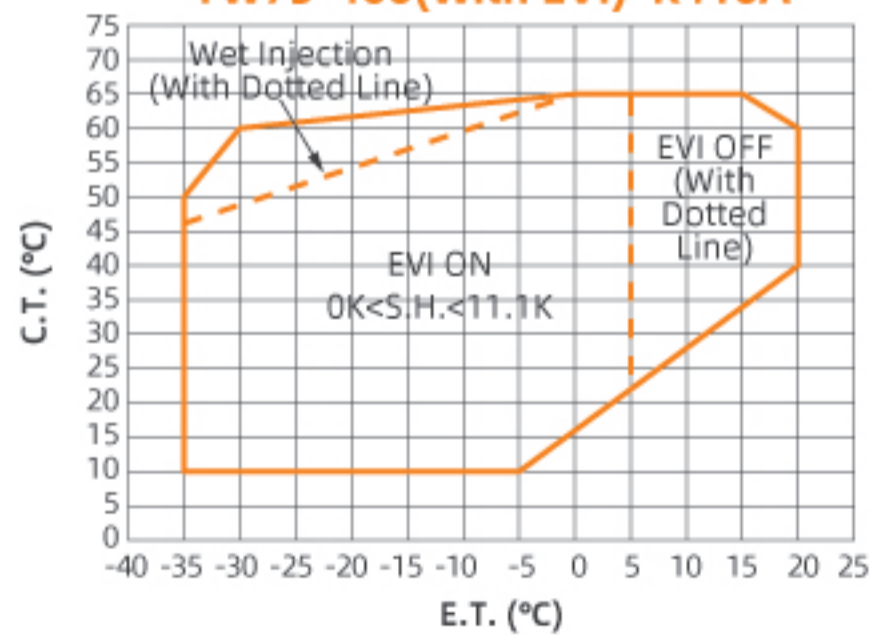
**R32**



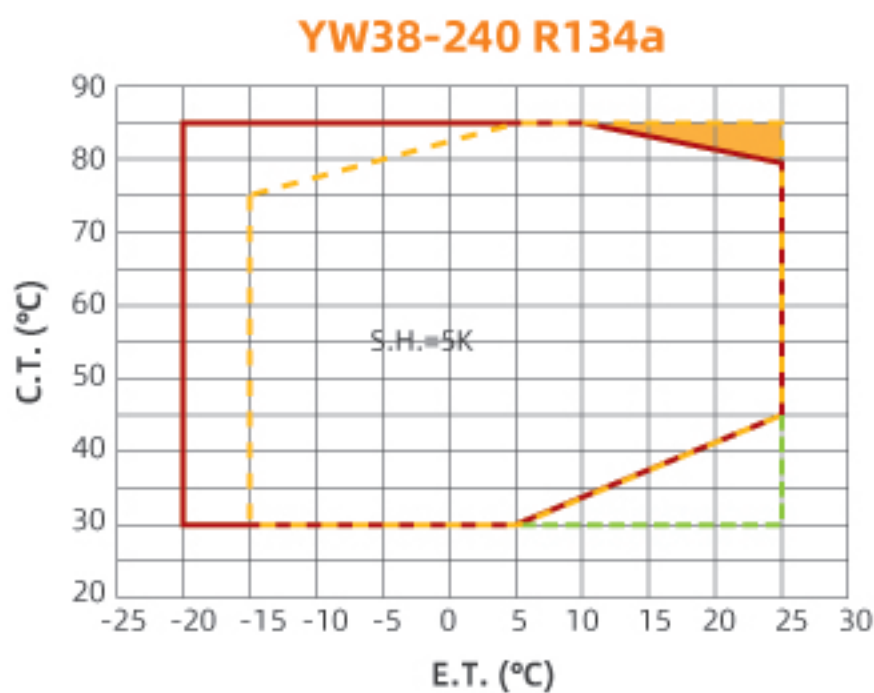
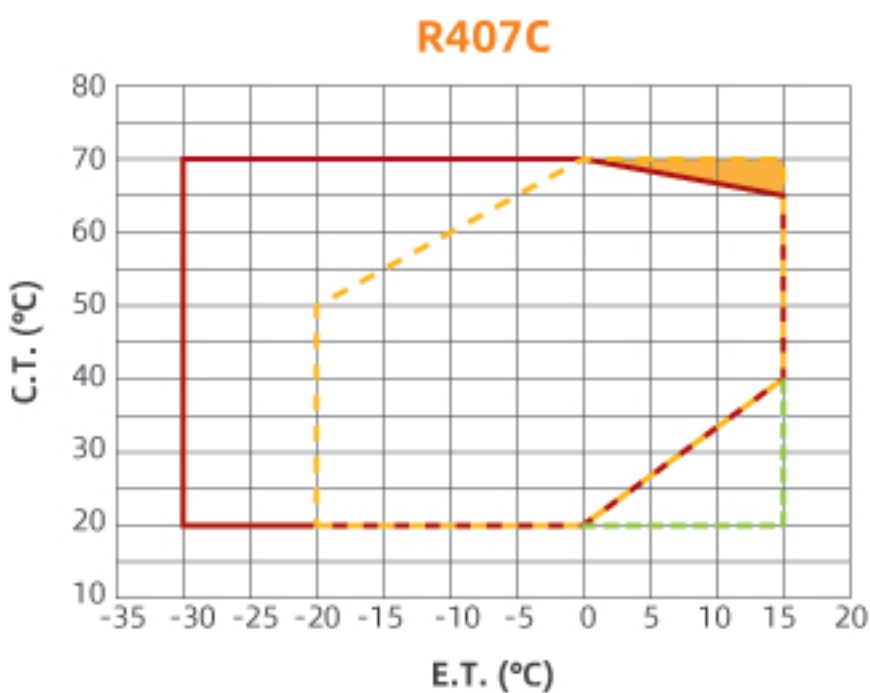
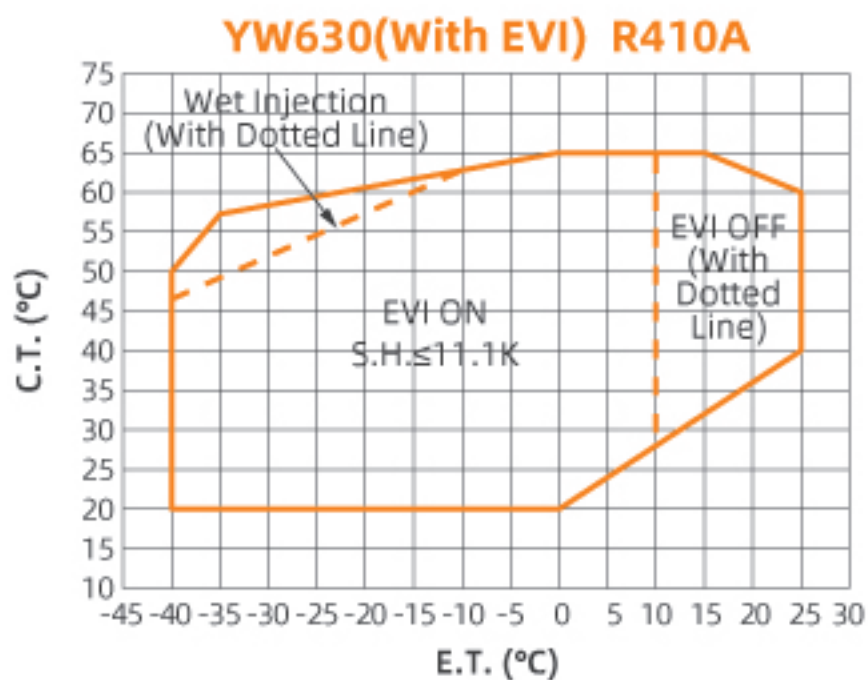
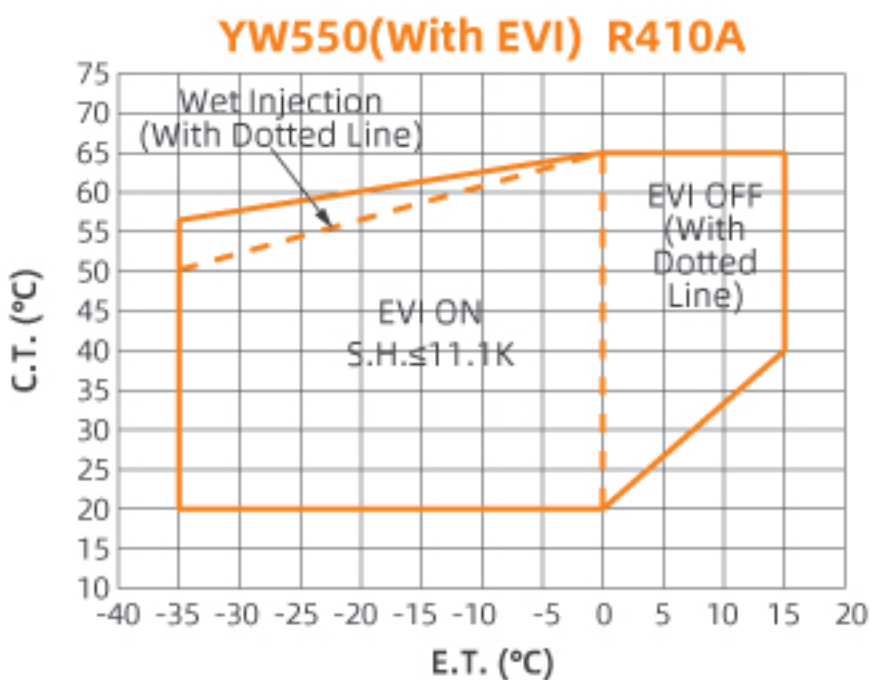
**YW Series without EVI R410A**



**YW75-400(With EVI) R410A**



## Operating Envelope

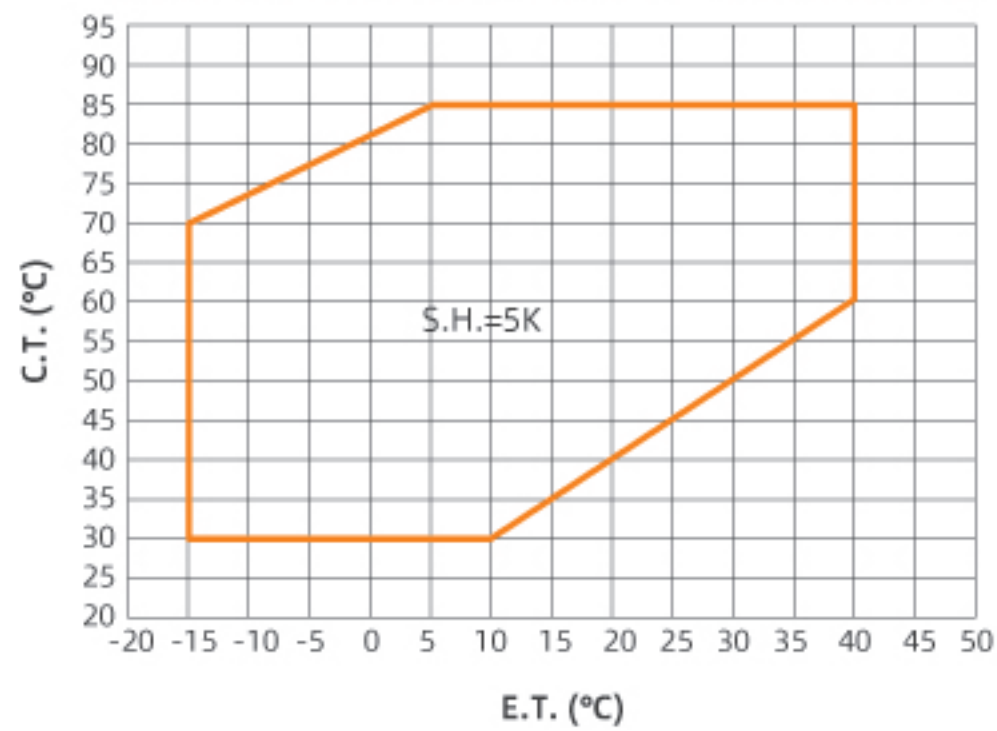


█ EVI Off Area  
█ Operating Envelope for with EVI model

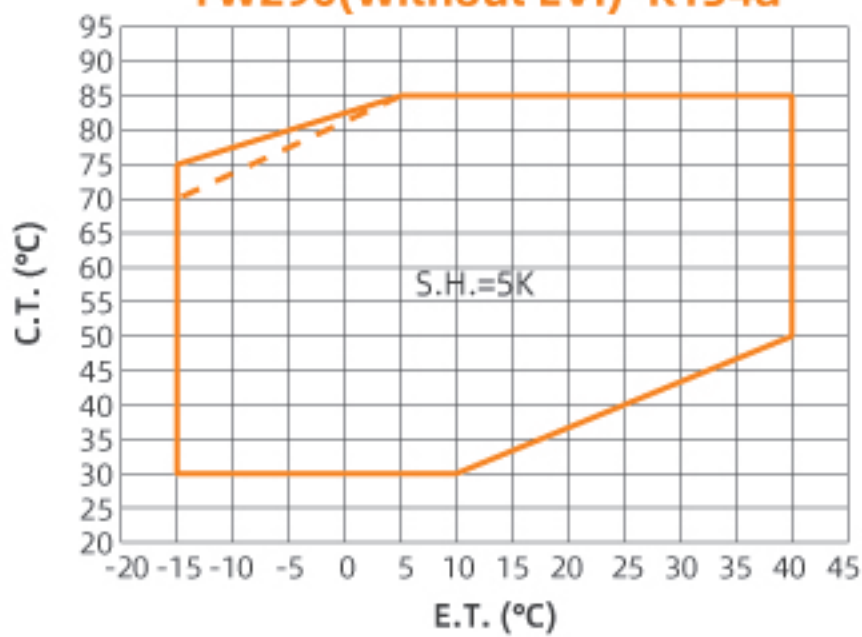
- - - Transition Area  
- - - Operating Envelope for without EVI model

## Operating Envelope

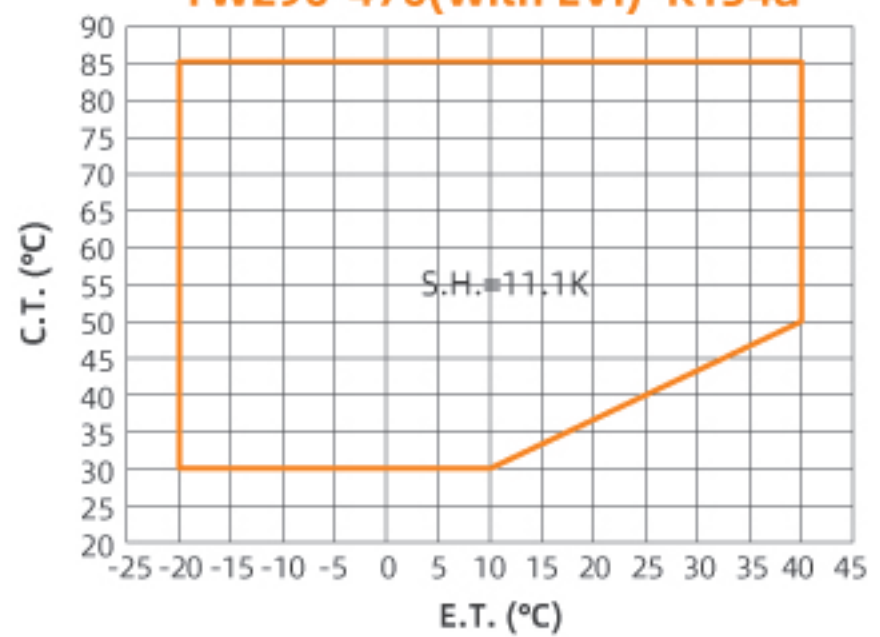
**YW265/315/390/470(Without EVI) R134a**



**YW290(Without EVI) R134a**



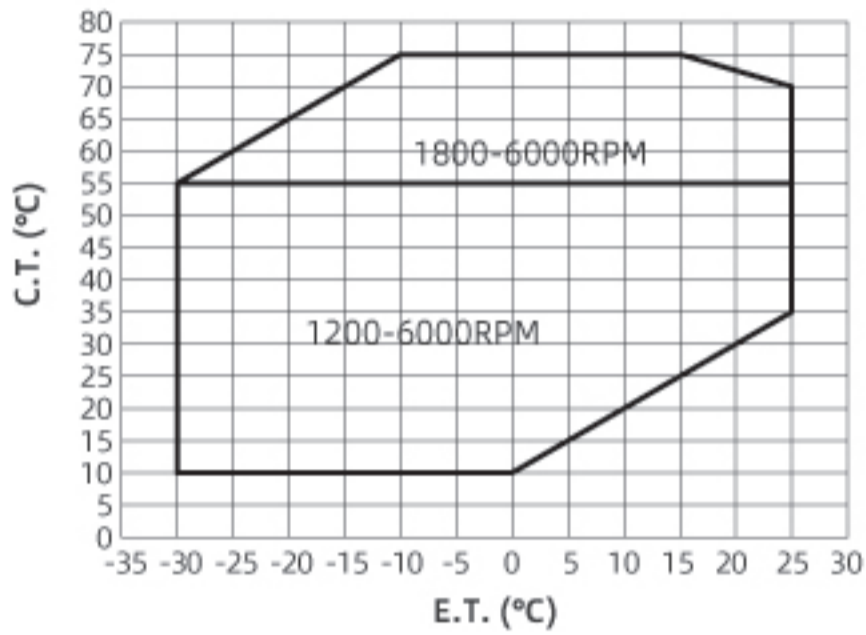
**YW290-470(With EVI) R134a**



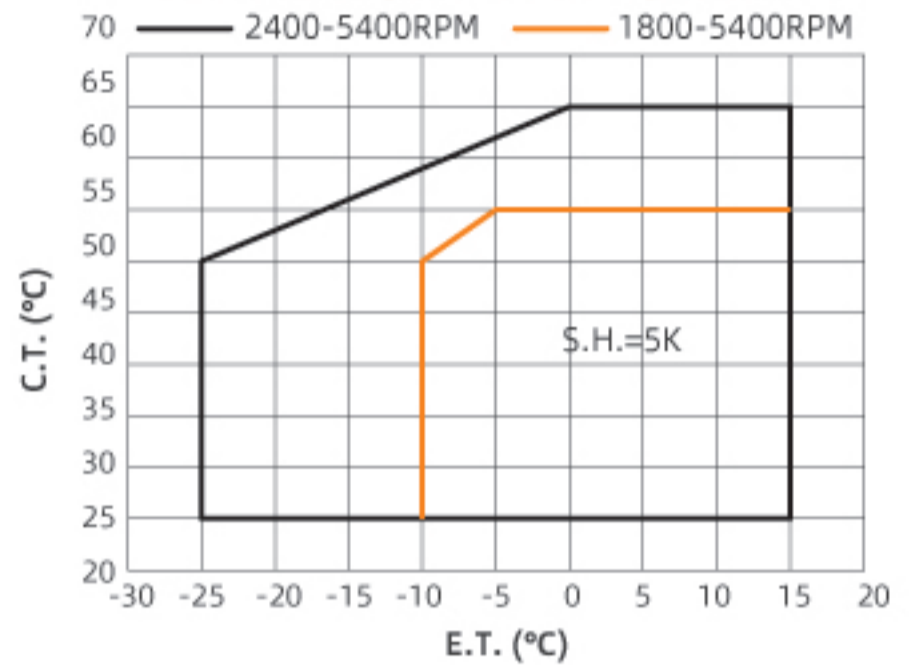
Running time during the dotted line on the upper left should be less than 2000h.

## Operating Envelope

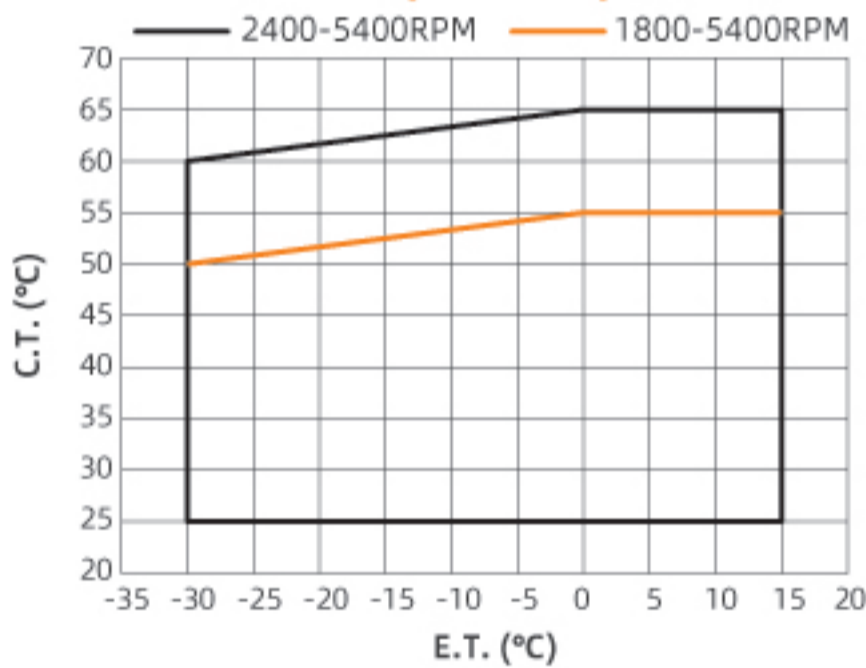
**YIW38-72 R290**



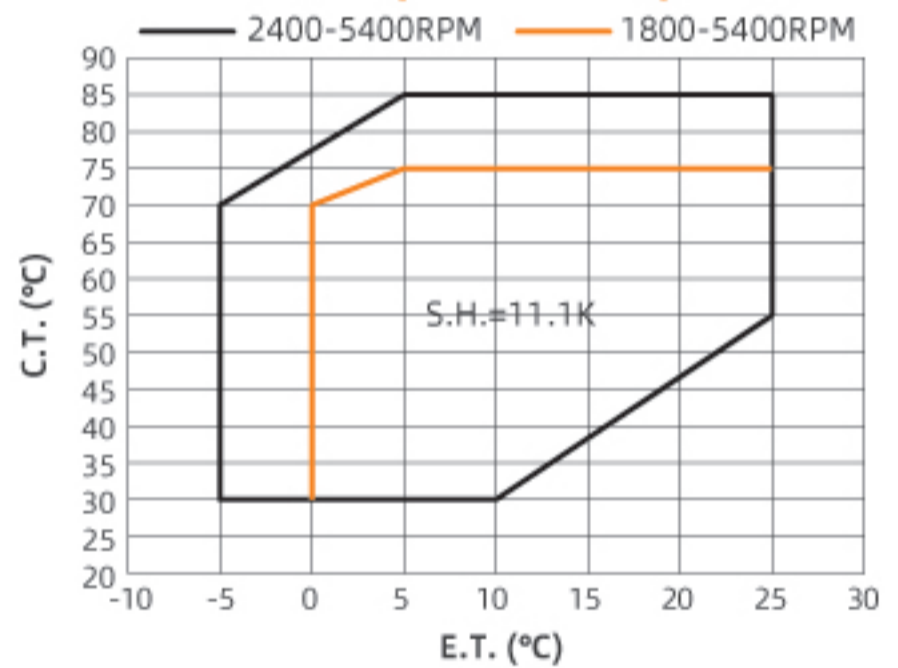
**YIW38-72(Without EVI) R410A**



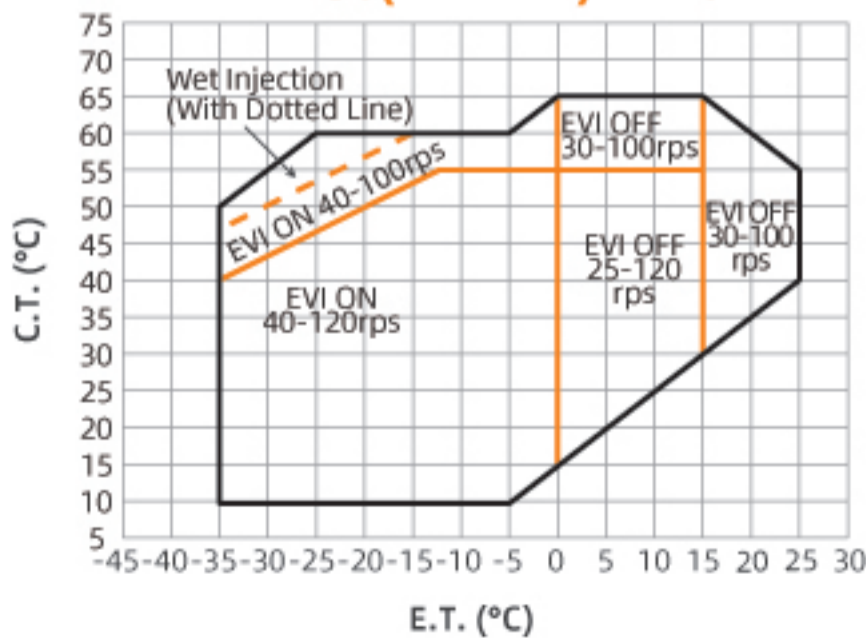
**YIW38-72(With EVI) R410A**



**YIW60-72(Without EVI) R134a**



**YIW130(With EVI) R410A**



## Specifications R290

Model	YW46P1-100	YW55P1-100	YW62P1-100	YW78P1-100	YW91P1-100	YW110 P1-100	YW130 P1-100	YW143 P1-100	YW158 P1-100	YW167 P1-100	YW200 P1-100	YW225 P1-100											
Electricity	380-420V/3~/50Hz																						
Power in Horse Power (HP)	2	2.5	3	3.5	4	5	6	7	7.5	8	9	10											
Displacement (m <sup>3</sup> /h)	5.8	7.3	8.1	10.1	11.8	14.5	17.1	18.8	20.1	21.4	25.3	29.1											
Refrigerant	R290																						
Heating Capacity (W)	4595	5491	6221	7835	9094	11081	13024	14265	15690	16704	20270	22600											
Power in Watt (W)	1605	1845	2080	2527	2884	3477	4014	4385	4770	5080	6030	6566											
COP (W/W)	2.86	2.98	2.99	3.1	3.15	3.19	3.24	3.25	3.29	3.29	3.36	3.44											
Running Current (A)	2.9	3.4	3.6	5.3	5.6	6.3	7.4	8.6	10.27	10.93	11.67	11.75											
LRA (A)	22	22	22	60	60	60	65	85	102	117	117	117											
MOC (A)	6.9	7.9	8.9	10.9	12.4	14.9	17.3	17.4	18	19.2	22.8	24.8											
Crankcase Heater (W)	70						90																
Fitting Dimensions (Inch)	Discharge Tube(ID)			1/2			7/8																
	Suction Tube(ID)			7/8			1 1/8																
Product Dimensions (mm)	Length (L)			239			260																
	Width (W)			239			244																
	Height (H)			418			463			506.7													
	Feet Dimensions (Hole)												190.5×190.5(8.8)										
Oil Type	PAG																						
Initial Charge Volume (L)	1.4			1.6			2.7			3.0													
Recharge Volume (L)	1.25			1.45			2.55			2.85													
Max Pressure (MPa)	High Side						3.1																
	Low Side						1.7																
Weight (kg)	29	30	30	31	31	31.8	33	38	54.1	55.2	56.2	56.9											

Rated Working Condition: E.T. -7°C, C.T. 50°C, Superheat 5°C, Subcooling 4°C

## Specifications R515B R245fa

Model	YW290K1-100	YW470K1-100	YW470L1-V100
Electricity	380-420V/3~/50Hz		380-420V/3~/50Hz
Power in Horse Power (HP)	15	25	25
Displacement (m <sup>3</sup> /h)	42.8	68.2	68.2
Refrigerant	R515B		R245fa
Heating Capacity (W)	25437	39181	51300
Power in Watt (W)	10508	16687	17060
COP (W/W)	2.42	2.34	3.01
Running Current (A)	20	31	31.5
LRA (A)	170	266	266
MOC (A)	31	51	47
Crankcase Heater (W)	120		120
Fitting Dimensions (Inch)	Discharge Tube(ID)		1 1/8
	Suction Tube(ID)		1 5/8
Product Dimensions (mm)	Length (L)		359.8
	Width (W)		326.2
	Height (H)		611.2
	Feet Dimensions (Hole)		232×232(8.8)
Oil Type	POE		PAG
Initial Charge Volume (L)	4.2	5.5	6
Recharge Volume (L)	4	5.3	5.8
Max Pressure (MPa)	High Side		3.1
	Low Side		1
Weight (kg)	100	106	106

YW290/470K1-100, Rated Working Condition: E.T. 10°C, C.T. 85°C, Superheat 10°C, Subcooling 10°C

YW470L1-V100, Rated Working Condition: E.T. 50°C, C.T. 120°C, Superheat 5°C, Subcooling 10°C, Vapor Injection Pressure 8.2bar, Vapor Injection Superheat 5°C

## Specifications R410A

Model		YW75C2 -102	YW110C2 -100	YW75C1 -100	YW110C1 -100	YW135C1 -100	YW160C1 -100	YW185C1 -100	
Electricity		220V/1~/50Hz			380-420V/3~/50Hz				
Power in Horse Power (HP)		3	4	3	4	5	6	7	
Displacement (m <sup>3</sup> /h)		5.6	8.1	5.6	8.1	10.3	11.8	13.4	
Refrigerant		R410A							
Heating Capacity (W)		10500	15655	10626	14577	18593	21403	25350	
Power in Watt (W)		2900	4254	2826	3877	4893	5603	6850	
COP (W/W)		3.62	3.68	3.76	3.76	3.8	3.82	3.7	
Running Current (A)		13.7	20.1	5.3	7.4	8.7	9.8	12.6	
LRA (A)		76	109	45	60	60	65	85	
MOC (A)		20.5	30	7.6	11	13	14	18.1	
Crankcase Heater (W)		70							
Fitting Dimensions (Inch)	Discharge Tube(ID)	1/2							
	Suction Tube(ID)	7/8							
Product Dimensions (mm)	Length (L)	239							
	Width (W)	239							
	Height (H)	418				463			
	Feet Dimensions (Hole)	190.5×190.5(8.8)							
Oil Type		POE							
Initial Charge Volume (L)		1.4				1.6			
Recharge Volume (L)		1.25				1.45			
Max Pressure (MPa)	High Side	4.3							
	Low Side	2.0							
Weight (kg)		31	33	30	31	31	33	38	

Rated Working Condition: E.T. 5°C, C.T. 55°C, Superheat 11.1°C, Subcooling 8.3°C

## Specifications R410A

Model		YW245C1 -100	YW270C1 -100	YW300C1 -100	YW320C1 -100	YW340C1 -105	YW400C1 -105	YW550C1 -100	YW630C1 -100	
Electricity		380-420V/3~/50Hz								
Power in Horse Power (HP)		9	10	11	12	13	15	20	25	
Displacement (m <sup>3</sup> /h)		17.9	20.1	22.2	22.9	24.9	29.1	41	44.7	
Refrigerant		R410A								
Heating Capacity (W)		33400	37321	41290	41660	48166	54286	77200	83900	
Power in Watt (W)		8900	9821	10766	10922	12945	14286	19700	21400	
COP (W/W)		3.75	3.8	3.84	3.81	3.72	3.8	3.92	3.92	
Running Current (A)		15.7	16.7	18.2	18.9	22.8	24.5	34.2	38.4	
LRA (A)		121	121	121	121	148.5	148.5	266	266	
MOC (A)		21.4	24	29.1	31.8	32	36	46	52	
Crankcase Heater (W)		90						120		
Fitting Dimensions (Inch)	Discharge Tube(ID)	7/8						1 1/8		
	Suction Tube(ID)	1 1/8						1 5/8		
Product Dimensions (mm)	Length (L)	260						359.8		
	Width (W)	244						326.2		
	Height (H)	506.7				556.7		671.2		
	Feet Dimensions (Hole)	190.5×190.5(8.8)						232×232(8.8)		
Oil Type		POE								
Initial Charge Volume (L)		2.7	3.0			3.7		5.5		
Recharge Volume (L)		2.55	2.85			3.5		5.3		
Max Pressure (MPa)	High Side	4.3								
	Low Side	2.0								
Weight (kg)		53	54	54	54	57.5	57.5	104	104	

Rated Working Condition: E.T. 5°C, C.T. 55°C, Superheat 11.1°C, Subcooling 8.3°C

## Specifications Vapor Injection R410A

Model		YW75C2 -V102	YW110C2 -V100	YW135C2 -V100	YW152C2 -V100	YW75C1 -V100	YW110C1 -V100	YW135C1 -V100	YW160C1 -V100	YW185C1 -V100
Electricity		220V/1~/50Hz				380-420V/3~/50Hz				
Power in Horse Power (HP)		3	4	5	5.8	3	4	5	6	7
Displacement (m <sup>3</sup> /h)		5.6	8.1	10.3	11.0	5.6	8.1	10.3	11.8	13.4
Refrigerant		R410A								
Heating Capacity (W)		11359	16593	19872	21113	11129	15267	18317	22417	25066
Power in Watt (W)		3091	4509	5629	5816	2939	4032	4801	5827	6668
COP (W/W)		3.67	3.68	3.53	3.63	3.79	3.79	3.81	3.85	3.76
Running Current (A)		14.6	21.3	29.1	30.0	5.4	7.5	8.6	10.1	11.9
LRA (A)		76	109	140	180	45	60	60	65	85
MOC (A)		20.5	30	36	39	7.6	11	13	14	18.1
Crankcase Heater (W)		70								
Fitting Dimensions (Inch)	Discharge Tube(ID)	1/2								
	Suction Tube(ID)	7/8								
Product Dimensions (mm)	Length (L)	239								
	Width (W)	239								
	Height (H)	418			463		418		463	
	Feet Dimensions (Hole)	190.5×190.5(8.8)								
Oil Type		POE								
Initial Charge Volume (L)		1.4						1.6		
Recharge Volume (L)		1.25						1.45		
Max Pressure (MPa)	High Side	4.3								
	Low Side	2.0								
Weight (kg)		31	33	37	38	30	31	31	33	38

Rated Working Condition: E.T. 5°C, C.T. 55°C, Superheat 11.1°C, Subcooling 8.3°C

## Specifications Vapor Injection R410A & R32

Model		YW245C1 -V100	YW270C1 -V100	YW300C1 -V100	YW320C1 -V100	YW340C1 -V105	YW400C1 -V105	YW550C1 -V100	YW630C1 -V100*	YW630D1 -V100
Electricity		380-420V/3~/50Hz								
Power in Horse Power (HP)		9	10	11	12	13	15	20	25	25
Displacement (m <sup>3</sup> /h)		17.9	20.1	22.2	22.9	24.9	29.1	41	44.7	44.7
Refrigerant		R410A								R32
Heating Capacity (W)		34122	38300	42560	42670	48941	54286	76010	71800	76400
Power in Watt (W)		8909	10000	11120	11170	13069	14286	19606	21130	22500
COP (W/W)		3.83	3.83	3.83	3.82	3.74	3.80	3.88	3.4	3.4
Running Current (A)		15.9	17.8	18.9	18.9	23.6	25.5	34.2	39.7	41
LRA (A)		121	121	121	121	148.5	148.5	266	300	300
MOC (A)		21.4	24	29.1	30	32	36	46	56	61
Crankcase Heater (W)		90						120		
Fitting Dimensions (Inch)	Discharge Tube(ID)	7/8						1 1/8		
	Suction Tube(ID)	1 1/8						1 5/8		
Product Dimensions (mm)	Length (L)	260						359.8		
	Width (W)	244						326.2		
	Height (H)	506.7				556.7		671.2		
	Feet Dimensions (Hole)	190.5×190.5(8.8)						232×232(8.8)		
Oil Type		POE								
Initial Charge Volume (L)		2.7	3.0			4.0		5.5	6	
Recharge Volume (L)		2.55	2.85			3.8		5.3	5.8	
Max Pressure (MPa)	High Side	4.3								
	Low Side	2.0								
Weight (kg)		53	54	54	56	57.5	59.3	104	109.4	108

Rated Working Condition: E.T. 5°C, C.T. 55°C, Superheat 11.1°C, Subcooling 8.3°C

\*\*\* Refers to the Working Condition of E.T. -7°C, C.T. 50°C, Superheat 10°C, Subcooling 5°C, Vapor Injection Pressure 1400kPa, Vapor Injection Superheat 5°C

## Specifications R407C

Model	YW75T2 -102	YW110T2 -100	YW75T1 -100	YW110T1 -100	YW135T1 -100	YW160T1 -100	YW185T1 -100
Electricity	220V/1~/50Hz		380-420V/3~/50Hz				
Power in Horse Power (HP)	3	4	3	4	5	6	7
Displacement (m <sup>3</sup> /h)	8.1	11.8	8.1	11.8	14.5	17.1	18.8
Refrigerant	R407C						
Heating Capacity (W)	10000	14650	9920	14590	17520	20480	23991
Power in Watt (W)	2740	3900	2660	3840	4550	5320	6231
COP (W/W)	3.65	3.76	3.73	3.80	3.85	3.85	3.85
Running Current (A)	12.7	18.5	5.1	7.4	8.4	9.6	11.2
LRA (A)	76	109	45	60	60	65	85
MOC (A)	20.7	30.5	7.5	10.5	12.6	14.5	17.1
Crankcase Heater (W)	70						
Fitting Dimensions (Inch)	Discharge Tube(ID)		1/2				
	Suction Tube(ID)		7/8				
Product Dimensions (mm)	Length (L)		239				
	Width (W)		239				
	Height (H)		418			463	
	Feet Dimensions (Hole)		190.5×190.5(8.8)				
Oil Type	POE						
Initial Charge Volume (L)	1.4					1.6	
Recharge Volume (L)	1.25					1.45	
Max Pressure (MPa)	High Side		3.0				
	Low Side		2.0				
Weight (kg)	31	33	30	31	31	33	38

Rated Working Condition: E.T. 5°C, C.T. 55°C, Superheat 11.1°C, Subcooling 8.3°C

## Specifications R407C

Model	YW205T1 -100	YW245T1 -100	YW285T1 -100	YW320T1 -100	YW400T1 -100	YW450T1 -100	YW650T1 -100
Electricity	380-420V/3~/50Hz						
Power in Horse Power (HP)	8	9	10	12	15	17	25
Displacement (m <sup>3</sup> /h)	21.4	25.3	29.1	32.9	42.8	46.2	68.2
Refrigerant	R407C						
Heating Capacity (W)	26717	31772	36829	41285	50730	54750	77273
Power in Watt (W)	6979	8252	9469	10565	13110	14150	20268
COP (W/W)	3.83	3.85	3.89	3.91	3.87	3.87	3.81
Running Current (A)	13	14.7	16.6	18.2	18.8	20.3	34.9
LRA (A)	117	117	121	121	170	216	216
MOC (A)	19.6	21.8	24.7	28	37.7	40.7	56
Crankcase Heater (W)	90					120	
Fitting Dimensions (Inch)	Discharge Tube(ID)		7/8			1 1/8	
	Suction Tube(ID)		1 1/8			1 5/8	
Product Dimensions (mm)	Length (L)		260			359.8	
	Width (W)		244			326.2	
	Height (H)		506.7			611.2	671.2
	Feet Dimensions (Hole)		190.5×190.5(8.8)			232×232(8.8)	
Oil Type	POE						
Initial Charge Volume (L)	2.7		3.0		4.2		5.5
Recharge Volume (L)	2.55		2.85		4		5.3
Max Pressure (MPa)	High Side		3.0				
	Low Side		2.0				
Weight (kg)	53	53	54	54	95	100	104

Rated Working Condition: E.T. 5°C, C.T. 55°C, Superheat 11.1°C, Subcooling 8.3°C

## Specifications Vapor Injection R407C

Model	YW75T2-V102	YW110T2-V100	YW152T2-V100	YW75T1-V100	YW110T1-V100	YW135T1-V100	YW160T1-V100	YW185T1-V100
Electricity	220V/1~/50Hz			380-420V/3~/50Hz				
Power in Horse Power (HP)	3	4	5.8	3	4	5	6	7
Displacement (m <sup>3</sup> /h)	8.1	11.8	16.3	8.1	11.8	14.5	17.1	18.8
Refrigerant	R407C							
Heating Capacity (W)	11220	16450	21458	11180	16380	19700	23030	25430
Power in Watt (W)	2990	4260	5861	2910	4190	4970	5810	6542
COP (W/W)	3.75	3.86	3.66	3.84	3.91	3.96	3.96	3.89
Running Current (A)	13.9	20.2	30.3	6.3	7.9	9.2	10.3	11.2
LRA (A)	76	109	180	45	60	60	65	85
MOC (A)	20.7	30.5	42	7.5	10.5	12.6	14.5	17.1
Crankcase Heater (W)	70							
Fitting Dimensions (Inch)	Discharge Tube(ID)			1/2				
	Suction Tube(ID)			7/8				
Product Dimensions (mm)	Length (L)			239				
	Width (W)			239				
	Height (H)		418	463	418		463	
	Feet Dimensions (Hole)							
Oil Type	POE							
Initial Charge Volume (L)	1.4			1.6				
Recharge Volume (L)	1.25			1.45				
Max Pressure (MPa)	High Side			3.0				
	Low Side			2.0				
Weight (kg)	31	33	38	30	31	31	33	38

Rated Working Condition: E.T. 5°C, C.T. 55°C, Superheat 11.1°C, Subcooling 8.3°C

## Specifications Vapor Injection R407C

Model	YW205T1-V100	YW245T1-V100	YW285T1-V100	YW320T1-V100
Electricity	380-420V/3~/50Hz			
Power in Horse Power (HP)	8	9	10	12
Displacement (m <sup>3</sup> /h)	21.4	25.3	29.1	32.9
Refrigerant	R407C			
Heating Capacity (W)	27983	33278	38576	42552
Power in Watt (W)	7258	8582	9848	10800
COP (W/W)	3.86	3.88	3.92	3.94
Running Current (A)	13.5	15.2	17.2	18.9
LRA (A)	117	117	121	121
MOC (A)	19.6	21.8	24.7	28
Crankcase Heater (W)	90			
Fitting Dimensions (Inch)	Discharge Tube(ID)			7/8
	Suction Tube(ID)			1 1/8
Product Dimensions (mm)	Length (L)			260
	Width (W)			244
	Height (H)			506.7
	Feet Dimensions (Hole)			
Oil Type	POE			
Initial Charge Volume (L)	2.7		3.0	
Recharge Volume (L)	2.55		2.85	
Max Pressure (MPa)	High Side			3.0
	Low Side			2.0
Weight (kg)	53	53	54	54

Rated Working Condition: E.T. 5°C, C.T. 55°C, Superheat 11.1°C, Subcooling 8.3°C

## Specifications R134a

Model		YW38J2 -102	YW55J2 -102	YW80J2 -100	YW38J1 -100	YW55J1 -100	YW80J1 -100	YW100J1 -100	YW120J1 -100	YW132J1 -100
Electricity		220V/1~/50Hz			380-420V/3~/50Hz					
Power in Horse Power (HP)		2	3	4	2	3	4	5	6	6.5
Displacement (m <sup>3</sup> /h)		5.8	8.1	11.8	5.8	8.1	11.8	14.5	17.1	18.5
Refrigerant		R134a								
Heating Capacity (W)		5126	7180	10450	5000	7180	10430	13000	15530	17415
Power in Watt (W)		1226	1700	2450	1199	1689	2437	3023	3612	4045
COP (W/W)		4.18	4.22	4.27	4.17	4.25	4.28	4.30	4.30	4.31
Running Current (A)		5.8	7.9	11.6	2.4	4.1	5.9	6.4	7.4	8.7
LRA (A)		76	76	109	22	45	60	60	65	85
MOC (A)		13	15.4	23.2	5	6.5	9	10.4	12.3	17.1
Crankcase Heater (W)		70								
Fitting Dimensions (Inch)	Discharge Tube(ID)	1/2								
	Suction Tube(ID)	7/8								
Product Dimensions (mm)	Length (L)	239								
	Width (W)	239								
	Height (H)	418						463		
	Feet Dimensions (Hole)	190.5×190.5(8.8)								
Oil Type		POE								
Initial Charge Volume (L)		1.4						1.6		
Recharge Volume (L)		1.25						1.45		
Max Pressure (MPa)	High Side	3.0								
	Low Side	2.0								
Weight (kg)		31	31	33	29	30	31	31	33	38

Rated Working Condition: E.T. 7.2°C, C.T. 54.4°C, Superheat 11.1°C, Subcooling 8.3°C

## Specifications R134a

Model		YW180J1 -100	YW200J1 -100	YW240J1 -100	YW265J1 -105*	YW290J1 -100	YW315J1 -100	YW390J1 -100*	YW470J1 -100*	
Electricity		380-420V/3~/50Hz								
Power in Horse Power (HP)		9	10	12	13	15	17	20	25	
Displacement (m <sup>3</sup> /h)		25.3	29.1	32.9	36.5	42.8	46.2	57.9	68.2	
Refrigerant		R134a								
Heating Capacity (W)		23450	25540	29220	32471	38050	41200	49357	56776	
Power in Watt (W)		5450	5940	6720	11173	8960	9770	16340	18738	
COP (W/W)		4.30	4.30	4.35	2.9	4.25	4.22	3.02	3.03	
Running Current (A)		11	11.6	12.5	19.8	17.5	20.5	29	33.2	
LRA (A)		117	121	121	148.5	170	216	266	266	
MOC (A)		18.8	20.3	24	33	36.2	37.5	47	47	
Crankcase Heater (W)		90				120				
Fitting Dimensions (Inch)	Discharge Tube(ID)	7/8				1 1/8				
	Suction Tube(ID)	1 1/8				1 5/8				
Product Dimensions (mm)	Length (L)	260				359.8				
	Width (W)	244				326.2				
	Height (H)	506.7			556.7	611.2	671.2			
	Feet Dimensions (Hole)	190.5×190.5(8.8)				232×232(8.8)				
Oil Type		POE								
Initial Charge Volume (L)		2.7	3.0		3.7	4.2	5.5			
Recharge Volume (L)		2.55	2.85		3.45	4	5.3			
Max Pressure (MPa)	High Side	3.0								
	Low Side	2.0								
Weight (kg)		53	54	54	57	95	100	104	104	

Rated Working Condition: E.T. 7.2°C, C.T. 54.4°C, Superheat 11.1°C, Subcooling 8.3°C

\*\*\* Refers to the Working Condition of E.T. 10°C, C.T. 75°C, Superheat 5°C, Subcooling 10°C

## Specifications Vapor Injection R134a

Model	YW55J2 -V102	YW80J2 -V100	YW38J1 -V100	YW55J1 -V100	YW80J1 -V100	YW100J1 -V100	YW120J1 -V100	YW132J1 -V100
Electricity	220V/1~/50Hz			380-420V/3~/50Hz				
Power in Horse Power (HP)	3	4	2	3	4	5	6	6.5
Displacement (m <sup>3</sup> /h)	8.1	11.8	5.8	8.1	11.8	14.5	17.1	18.5
Refrigerant	R134a							
Heating Capacity (W)	7522	10948	5238	7522	10927	13620	16270	19157
Power in Watt (W)	1768	2548	1247	1757	2534	3144	3756	4450
COP (W/W)	4.25	4.30	4.20	4.28	4.31	4.33	4.33	4.30
Running Current (A)	8.6	12.6	2.4	4.2	6	6.6	7.6	8.8
LRA (A)	76	109	22	45	60	60	65	85
MOC (A)	15.4	23.2	5	6.5	9	10.4	12.3	17.1
Crankcase Heater (W)	70							
Fitting Dimensions (Inch)	Discharge Tube(ID)		1/2					
	Suction Tube(ID)		7/8					
Product Dimensions (mm)	Length (L)		239					
	Width (W)		239					
	Height (H)		418			463		
	Feet Dimensions (Hole)		190.5×190.5(8.8)					
Oil Type	POE							
Initial Charge Volume (L)	1.4			1.6				
Recharge Volume (L)	1.25			1.45				
Max Pressure (MPa)	High Side		3.0					
	Low Side		2.0					
Weight (kg)	31	33	29	30	31	31	33	38

Rated Working Condition: E.T. 7.2°C, C.T. 54.4°C, Superheat 11.1°C, Subcooling 8.3°C

## Specifications Vapor Injection R134a

Model	YW180J1 -V100	YW200J1 -V100	YW240J1 -V100	YW290J1 -V100*	YW315J1 -V100*	YW390J1 -V100*	YW470J1 -V100*
Electricity	380-420V/3~/50Hz						
Power in Horse Power (HP)	9	10	12	15	17	20	25
Displacement (m <sup>3</sup> /h)	25.3	29.1	32.9	42.8	46.2	57.9	68.2
Refrigerant	R134a						
Heating Capacity (W)	24568	26758	30614	47256	50694	59069	67366
Power in Watt (W)	5668	6178	6989	14877	16118	18707	21574
COP (W/W)	4.33	4.33	4.38	3.18	3.15	3.16	3.12
Running Current (A)	11.3	11.9	12.9	25.8	26.7	32.8	37.2
LRA (A)	117	121	121	170	216	266	266
MOC (A)	18.8	20.3	24	41.2	42.6	51	60
Crankcase Heater (W)	90			120			
Fitting Dimensions (Inch)	Discharge Tube(ID)		7/8		1 1/8		
	Suction Tube(ID)		1 1/8		1 5/8		
Product Dimensions (mm)	Length (L)		260		359.8		
	Width (W)		244		326.2		
	Height (H)		506.7		611.2	671.2	
	Feet Dimensions (Hole)		190.5×190.5(8.8)		232×232(8.8)		
Oil Type	POE						
Initial Charge Volume (L)	2.7	3.0		4.7	6		
Recharge Volume (L)	2.55	2.85		4.5	5.8		
Max Pressure (MPa)	High Side		3.0		3		
	Low Side		2.0		1.1		
Weight (kg)	53	54	54	100	104	106	106

Rated Working Condition: E.T. 7.2°C, C.T. 54.4°C, Superheat 11.1°C, Subcooling 8.3°C

\*\* Refers to the Working Condition of E.T. 10°C, C.T. 75°C, Superheat 5°C, Subcooling 10°C

## Specifications Variable Speed R290

Model		YIW38P1-100	YIW42P1-100	YIW50P1-100	YIW60P1-100	YIW72P1-100
Power Input to Inverter Driver		380-420V/3~/50Hz or 60Hz				
Displacement (cc/rev)		38	42	50	60	72
Refrigerant		R290				
Heating Capacity (W)		8169	8750	10748	12513	14803
Power in Watt (W)		2558	2743	3338	3881	4439
COP (W/W)		3.19	3.19	3.22	3.22	3.33
Running Current (A)		5.3	5.6	6.6	7.3	8.9
MOC (A)		11.4	11.8	14.0	15.0	17.2
Rated Motor Speed (RPM)		4500				
Running Speed (RPM)		1200-6000				
Crankcase Heater (W)		70				
Fitting Dimensions (Inch)	Discharge Tube(ID)	1/2				
	Suction Tube(ID)	7/8				
Product Dimensions (mm)	Length (L)	239				
	Width (W)	239				
	Height (H)	419				
	Feet Dimensions (Hole)	190.5×190.5(8.8)				
Oil Type		PAG				
Initial Charge Volume (L)		1.4				
Recharge Volume (L)		1.25				
Max Pressure (MPa)	High Side	2.8				
	Low Side	1.7				
Weight (kg)		28	28	28	28	29.5

Rated Working Condition: E.T. -7°C, C.T. 50°C, Superheat 5°C, Subcooling 4°C

Model		YIW38P1-100	YIW42P1-100	YIW50P1-100	YIW60P1-100	YIW72P1-100
Motor Speed (RPM)		1800				
Heating Capacity (W)		3088	3308	4416	4792	5670
Power in Watt (W)		990	1062	1382	1607	1838
Motor Speed (RPM)		3600				
Heating Capacity (W)		6535	7000	8598	10010	11842
Power in Watt (W)		2046	2194	2670	3105	3551
Motor Speed (RPM)		5400				
Heating Capacity (W)		9778	10474	12876	14991	17734
Power in Watt (W)		3139	3366	4046	4704	5380
Motor Speed (RPM)		6000				
Heating Capacity (W)		10873	11646	14284	16630	19673
Power in Watt (W)		3527	3783	4550	5290	6050

E.T. -7°C, C.T. 50°C, Superheat 5°C, Subcooling 4°C, @1800 RPM, 3600 RPM, 5400 RPM & 6000RPM

## Specifications Variable Speed R410A

Model		YIW38C2G -V100	YIW42C2G -V100	YIW38C1G -V100	YIW42C1G -V100	YIW50C1G -V100	YIW60C1G -V100	YIW72C1G -V100	YIW130C1G -V100
Power Input to Inverter Driver		220V/1~/50Hz			380-420V/3~/50Hz or 60Hz				
Displacement (cc/rev)		38	42	38	42	50	60	72	130
Refrigerant		R410A							
Heating Capacity (W)		20685	22862	19319	21384	25457	29791	35391	55575
Power in Watt (W)		5460	6035	5155	5690	6595	7717	9205	16704
COP (W/W)		3.79	3.79	3.75	3.76	3.86	3.86	3.84	3.33
Running Current (A)		24.8	27.4	8.4	8.6	12.3	13.7	15.8	36.0
MOC (A)		36.0	36.0	12.9	13.3	18.8	21.0	24.2	75.0
Rated Motor Speed (RPM)		4500							
Running Speed (RPM)		1800-5400							1800-7200
Crankcase Heater (W)		70							120
Fitting Dimensions (Inch)	Discharge Tube(ID)	1/2							1 1/8
	Suction Tube(ID)	7/8							1 3/8
Product Dimensions (mm)	Length (L)	239							359.8
	Width (W)	239							326.2
	Height (H)	419							612.2
	Feet Dimensions (Hole)	190.5×190.5(8.8)							232×232(8.8)
Oil Type		POE							
Initial Charge Volume (L)		1.4							5.5
Recharge Volume (L)		1.25							5.2
Max Pressure (MPa)	High Side	4.3							
	Low Side	2.0							
Weight (kg)		29.5	29.5	29.5	29.5	29.5	29.5	29.5	80.0

YIW38-72 Rated Working Condition: E.T. 5°C, C.T. 55°C, Superheat 11.1°C, Subcooling 8.3°C, EVI Off @4500 RPM

YIW130 Rated Working Condition: E.T. -7°C, C.T. 50°C, Superheat 10°C, Subcooling 5°C, Injection Pressure 1400kPa @4500 RPM

Model		YIW38C2G -V100	YIW42C2G -V100	YIW38C1G -V100	YIW42C1G -V100	YIW50C1G -V100	YIW60C1G -V100	YIW72C1G -V100	YIW130C1G -V100
Motor Speed (RPM)		1800							
Heating Capacity (W)		8295	9168	7747	8575	10208	11946	14192	22230
Power in Watt (W)		2326	2571	2196	2424	2809	3287	3921	6682
Motor Speed (RPM)		3600							
Heating Capacity (W)		16589	18335	15494	17150	20417	23892	28384	44460
Power in Watt (W)		4330	4786	4088	4512	5230	6120	7300	13363
Motor Speed (RPM)		5400							
Heating Capacity (W)		24677	27274	23376	25875	30803	36047	42823	66690
Power in Watt (W)		6787	7502	6320	6976	8085	9461	11285	20045

YIW38-72 E.T. 5°C, C.T. 55°C, Superheat 11.1°C, Subcooling 8.3°C, EVI Off @1800 RPM, 3600 RPM & 5400 RPM

YIW130 E.T. -7°C, C.T. 50°C, Superheat 10°C, Subcooling 5°C, Injection Pressure 1400kPa @1800 RPM, 3600 RPM & 5400 RPM

## Specifications Variable Speed R134a

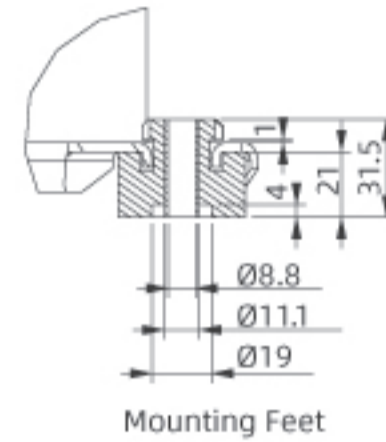
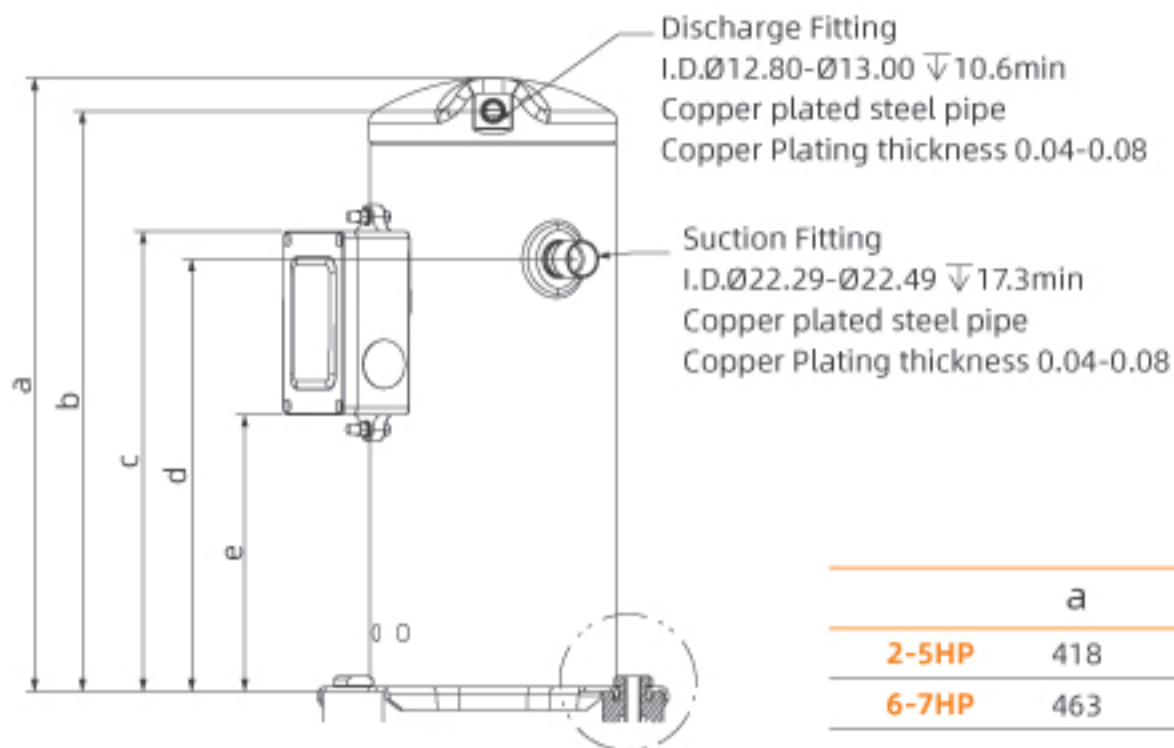
Model		YIW60J2G-100	YIW72J2G-100	YIW60J1G-100	YIW72J1G-100
Power Input to Inverter Driver		220V/1~/50Hz		380-420V/3~/50Hz or 60Hz	
Displacement (cc/rev)		38	42	60	72
Refrigerant		R134a			
Heating Capacity (W)		14431	17340	14421	16933
Power in Watt (W)		3560	4286	3510	4139
COP (W/W)		4.05	4.05	4.11	4.09
Running Current (A)		10.8	13.0	7.0	8.1
MOC (A)		24.1	29.0	16.0	19.2
Rated Motor Speed (RPM)		4500			
Running Speed (RPM)		1800-5400			
Crankcase Heater (W)		70			
Fitting Dimensions (Inch)	Discharge Tube(ID)	1/2			
	Suction Tube(ID)	7/8			
Product Dimensions (mm)	Length (L)	239			
	Width (W)	239			
	Height (H)	419			
	Feet Dimensions (Hole)	190.5×190.5(8.8)			
Oil Type		POE			
Initial Charge Volume (L)		1.4			
Recharge Volume (L)		1.25			
Max Pressure (MPa)	High Side	3.0			
	Low Side	2.0			
Weight (kg)		29.5	29.5	29.5	29.5

Rated Working Condition: E.T. 7.2°C, C.T. 54.4°C, Superheat 11.1°C, Subcooling 8.3°C @4500 RPM

Model		YIW60J2G-100	YIW72J2G-100	YIW60J1G-100	YIW72J1G-100
Motor Speed (RPM)		1800			
Heating Capacity (W)		5758	6919	5754	6756
Power in Watt (W)		1410	1697	1390	1639
Motor Speed (RPM)		3600			
Heating Capacity (W)		11357	13647	11349	13326
Power in Watt (W)		2780	3347	2741	3233
Motor Speed (RPM)		5400			
Heating Capacity (W)		17476	20999	17464	20506
Power in Watt (W)		4365	5255	4303	5074

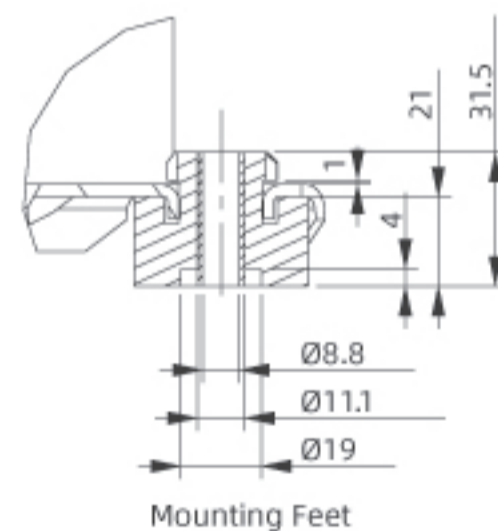
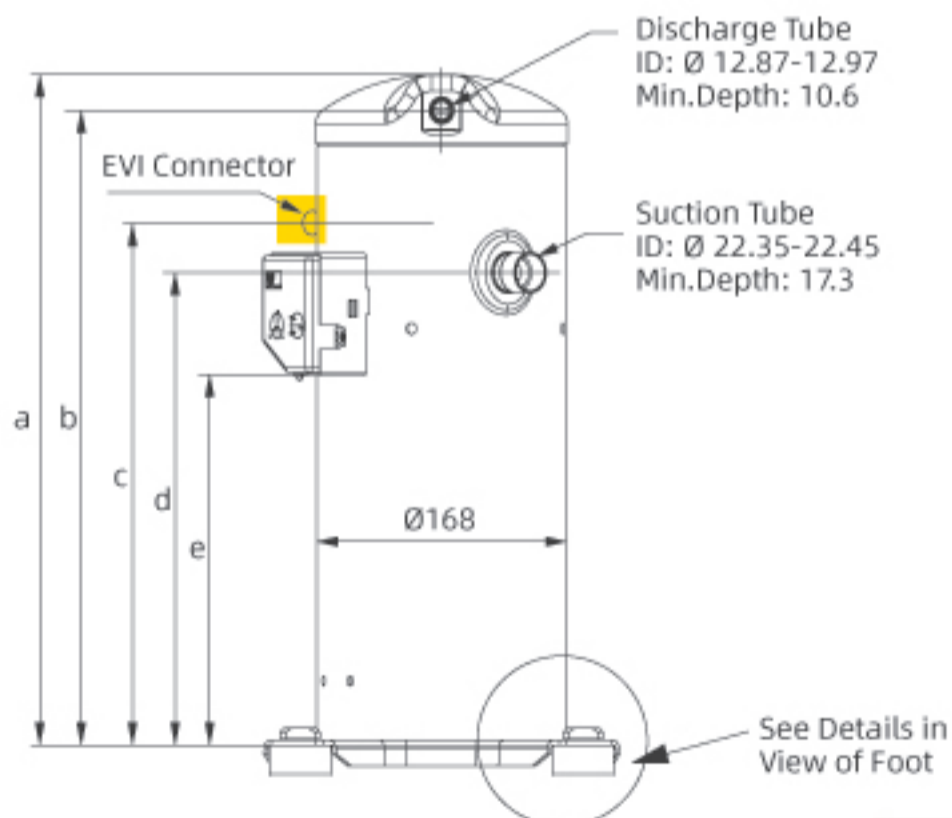
E.T. 7.2°C, C.T. 54.4°C, Superheat 11.1°C, Subcooling 8.3°C @1800 RPM, 3600 RPM & 5400 RPM

## Dimensions R290 2-7HP



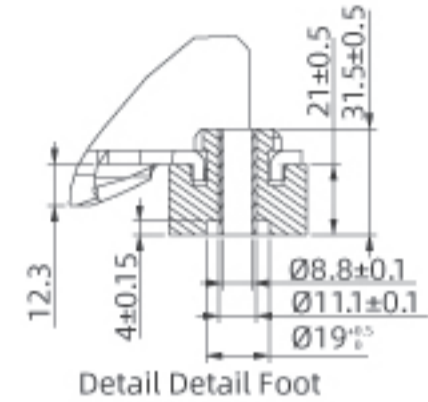
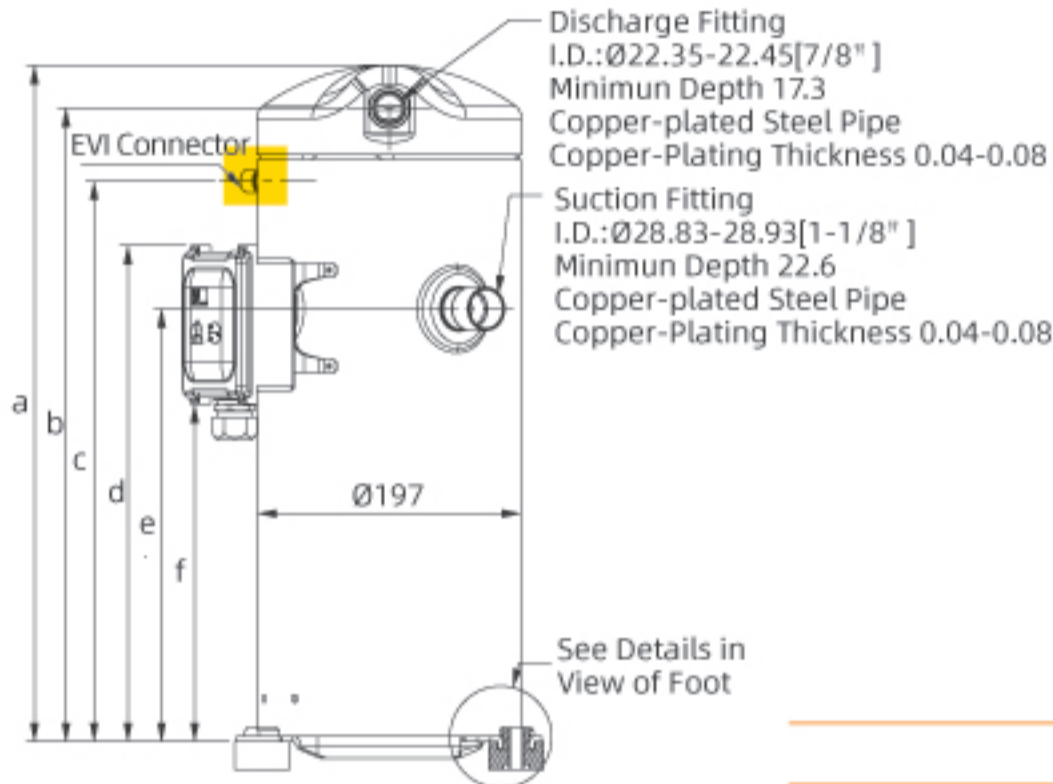
	a	b	c	d	e
<b>2-5HP</b>	418	395.5	313.46	294.5	188.58
<b>6-7HP</b>	463	440.5	358.44	339.5	233.61

## Dimensions 2-7HP



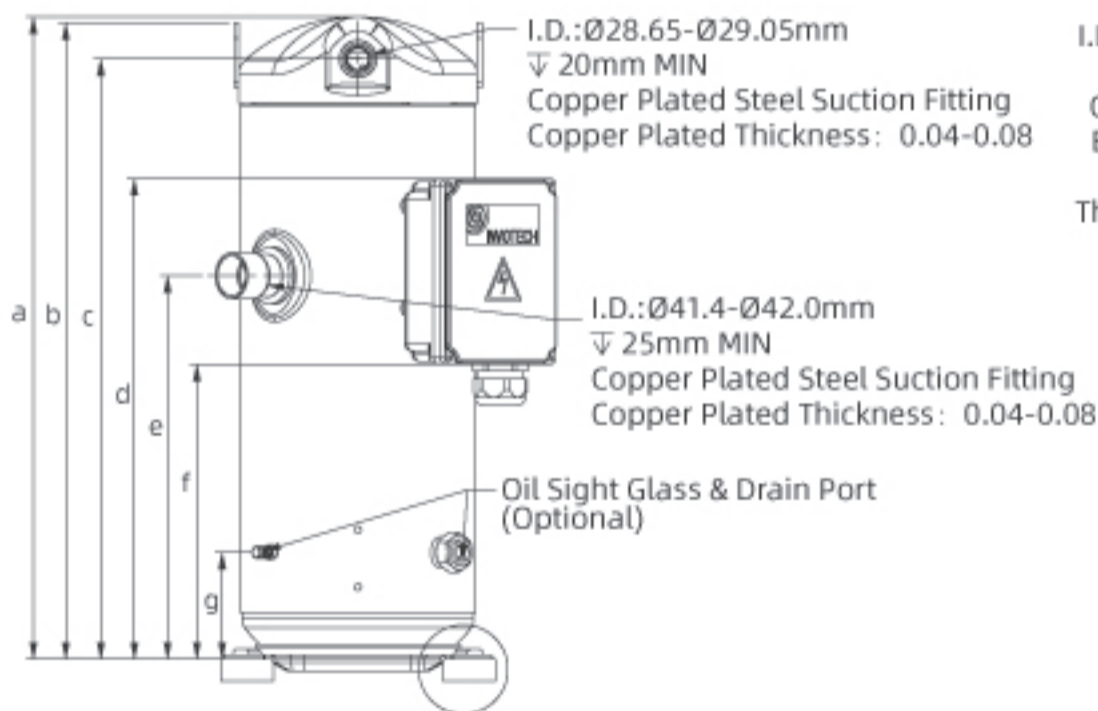
	1Ph	3Ph	a	b	c	d	e
<b>2-3HP</b>	<b>2-5HP</b>		418	395.5	333.7	294.5	212
<b>4-6HP</b>	<b>6-7HP</b>		463	440.5	378.7	339.5	257

## Dimensions 8-15HP

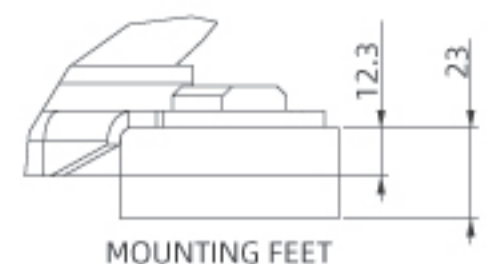


	a	b	c	d	e	f
<b>8-12HP</b>	506.7	474.7	419.9	371.7	324.2	252.7
<b>13HP/YW400C</b>	556.7	524.7	469.9	421.7	374.2	302.7

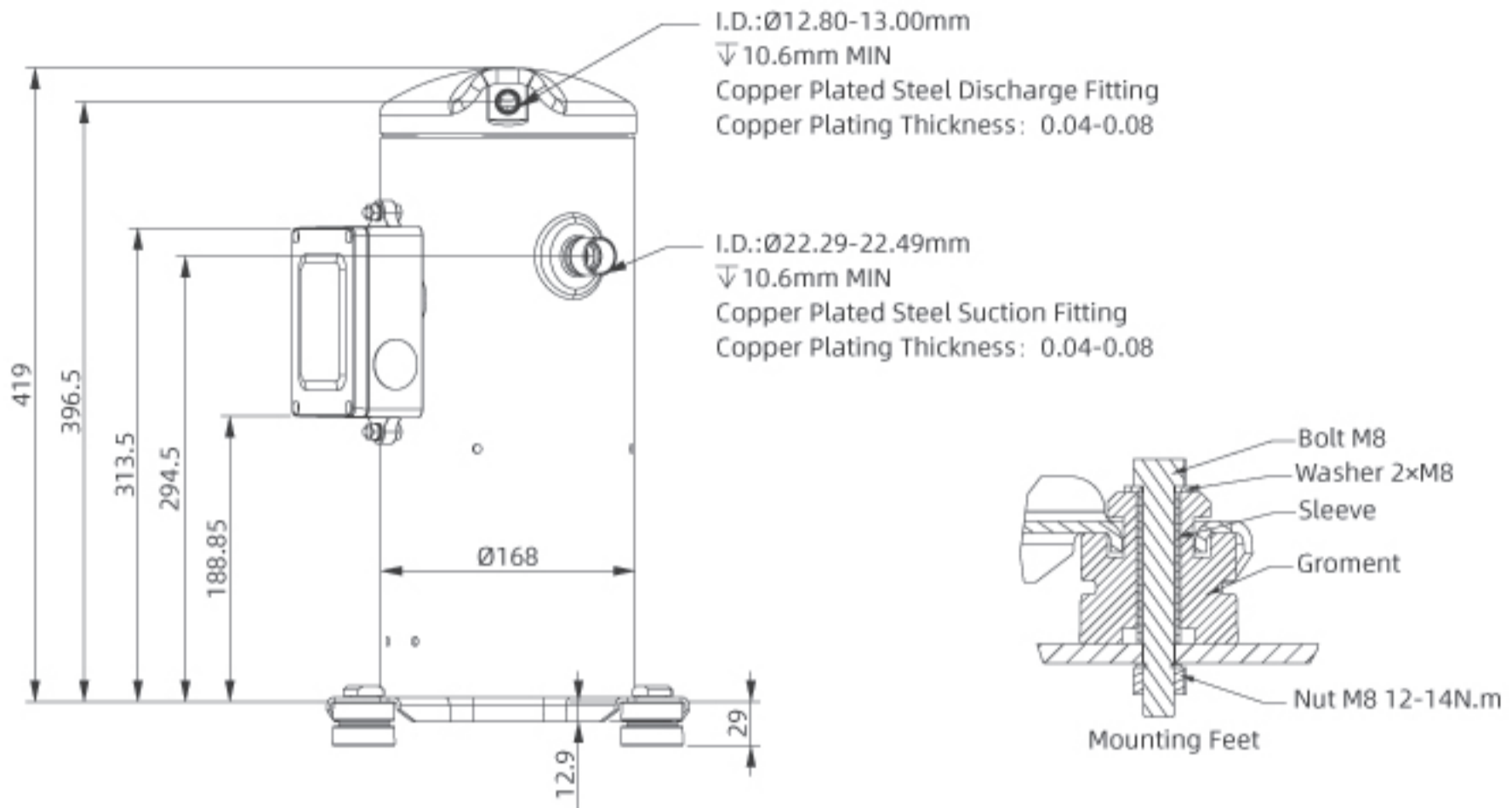
## Dimensions 15-25HP



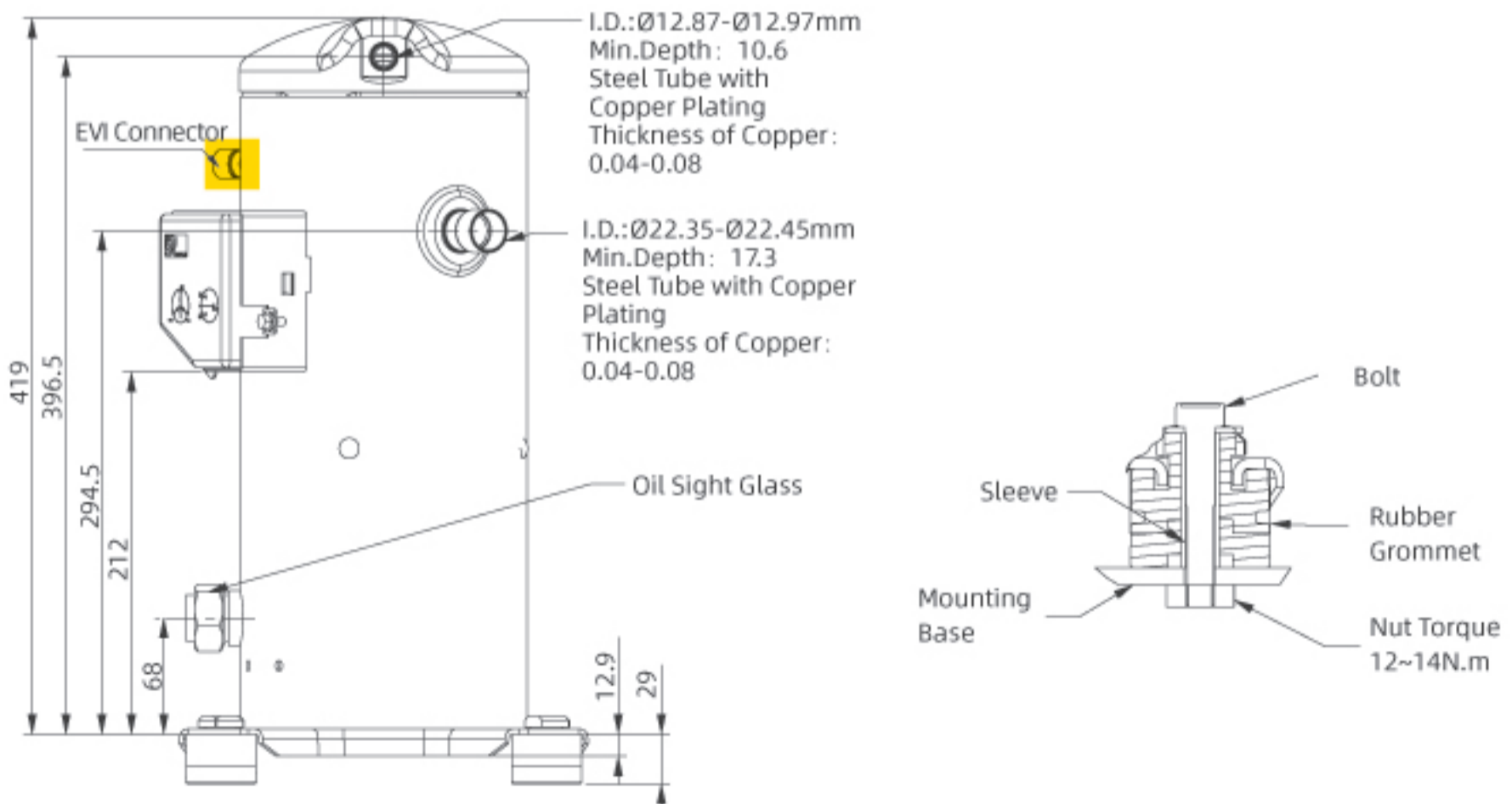
	a	b	c	d	e	f	g	h
<b>15HP Excluding YW400C</b>	611.2	604.7	567.2	442.1	340.7	248.1	83.7	493.4
<b>17-25HP</b>	671.2	664.7	627.2	502.1	400.7	308.1	111.7	553.4



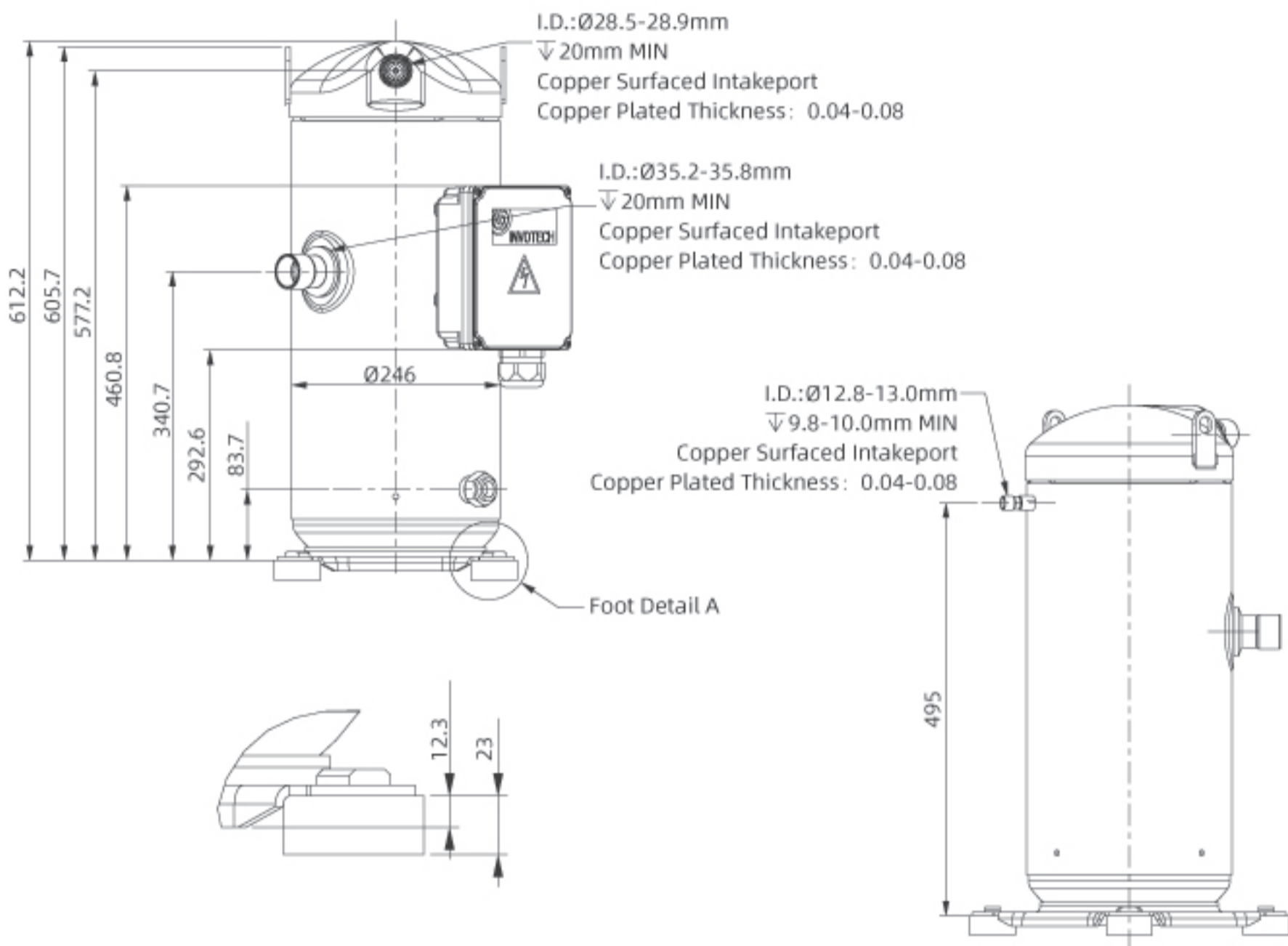
## Dimensions Variable Speed R290 YIW38-72



## Dimensions Variable Speed YIW38-72



## Dimensions Variable Speed YIW130







**Souzhou Invotech Scroll Technologies Co., Ltd.**

No.5, Yintong Road, Changshu City, Jiangsu Province, P.R. China

Email: [scroll@invotech.cn](mailto:scroll@invotech.cn)

[www.invotech.cn](http://www.invotech.cn)